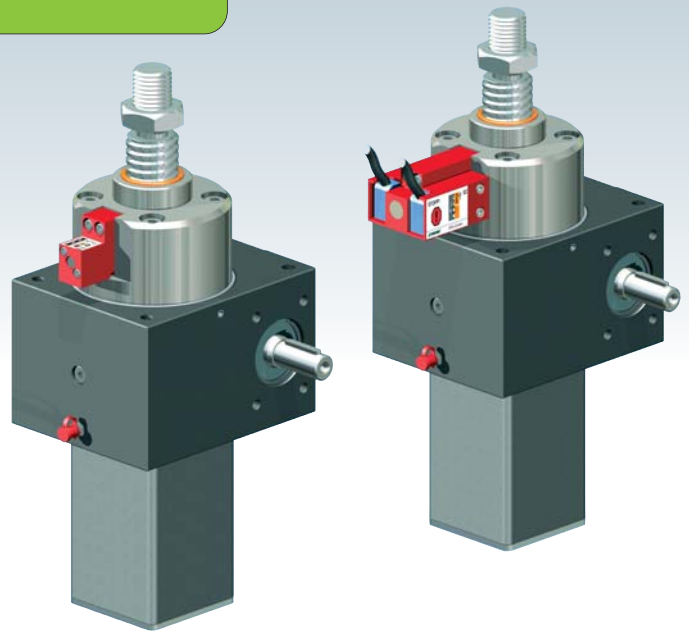




SIFA-S translating screw

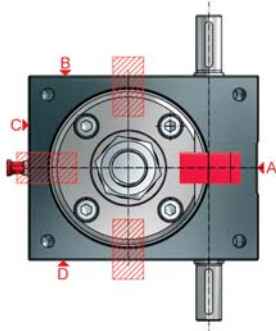
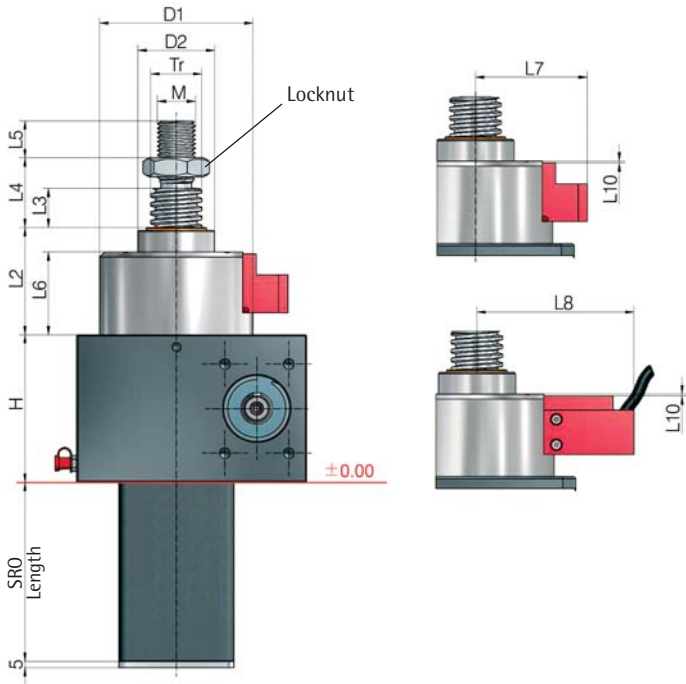


Function S version



The load is borne by the worm wheel via the screw. If the worm wheel screw thread wears through, the SIFA restrains the screw. The load remains supported.

Direction of loading, compressive and tensile  
The new SIFA-S operates equally in both compressive and tensile directions of loading!



Ordering code:

GSZ-50-SN-SIFA-OP-A

Version

SN or SL

Monitoring

- OP: visual
- EL: electrical (wear, thread stripping)
- ELV: only wear
- ELD: only thread stripping
- NO: without any monitoring

Position

A (standard), B, C or D  
(can also subsequently be rotated steplessly through 360°)

**i** further technical information: Page 75

Screw jack	Stroke travel/rev.		Tr thread	H	D1	D2	L2	L3 <sup>1)</sup>	L4 <sup>1)</sup>	L5	L6	L7	L8	L9	L10	M
	SN	SL														
GSZ-10	1	0.25	20x4	74	81	39	74	10	22	20	58	72	108	21	1	M14
GSZ-25	1	0.25	30x6	82	92	46	76	10	26	22	59	79	114	25	1	M20
GSZ-50	1	0.25	40x7	116	120	60	84	10	34	29	65	88	123	58	1	M30
GSZ-100	1	0.25	55x9	160	135	85	103	20	48	48	73	95	130	80	9	M36

<sup>1)</sup> See Section 8 for extension if bellows or spiral spring is fitted

## SIFA-S, monitoring

### Visual

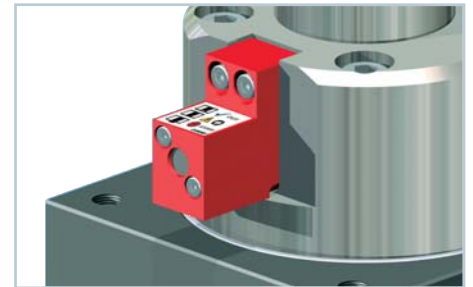
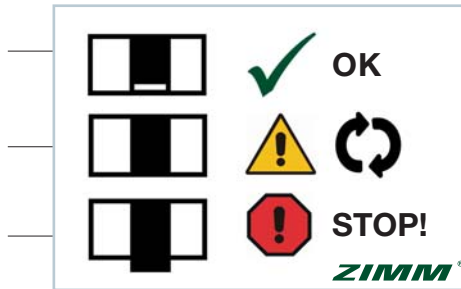
#### Monitoring

Wear should be checked and documented at regular intervals. This allows the fitting operation for replacement to be planned in good time so as to avoid system downtime.

**OK**  
Wear still <25% of P

**CAUTION!**  
max. permissible wear reached –  
Replace the gearbox

**STOP!**  
Wear >25% or thread already worn through –  
Stop operation immediately!

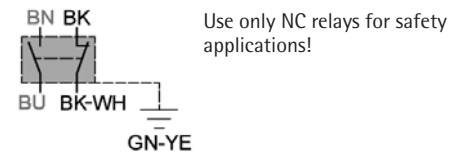
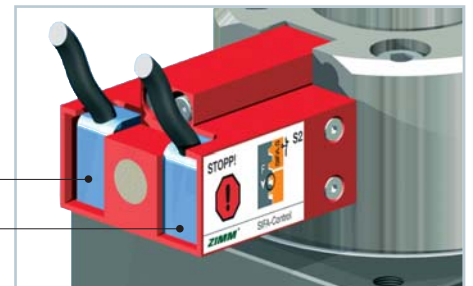


### Electrical

**WARNING! Switch S1**  
At 25% wear the limit switch S1 trips.  
The customer must detect this signal.  
This enables substitution to be planned well  
in advance and therefore prevents any  
unnecessary downtime.



**STOP! Switch S2**  
If after the first signal operation of the jack  
continues, the nut will continue to wear until  
the thread is worn through. When the thread  
is worn through, the safety nut takes the load.  
The limit switch S2 trips.  
The customer must detect this signal and stop  
the system.



### Without any monitoring

If the version used has no monitoring,  
the dimension A must be measured and  
documented when new, then regularly  
checked and documented.

