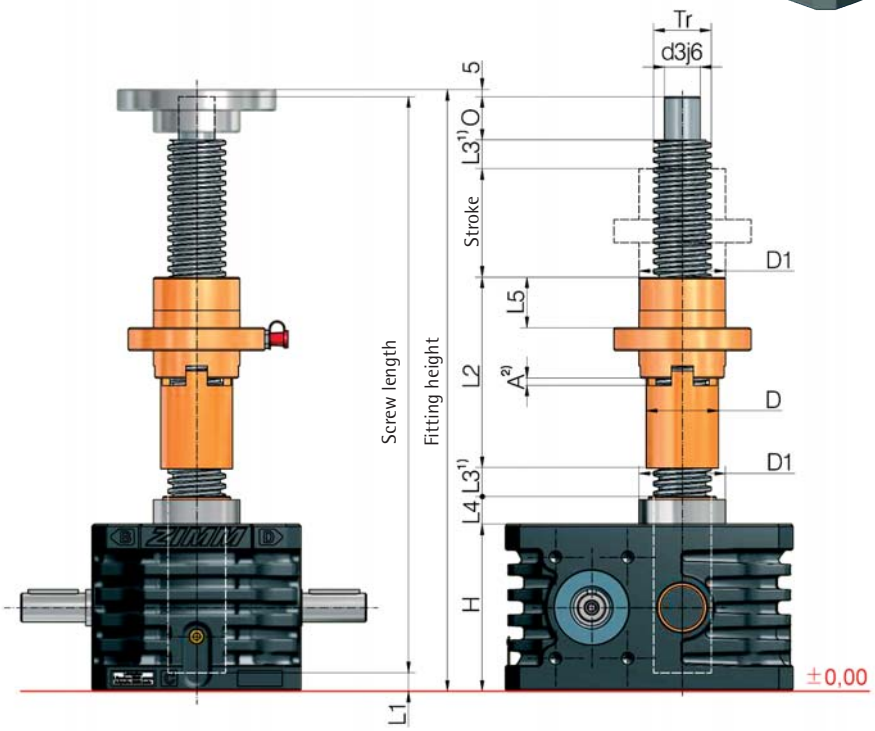
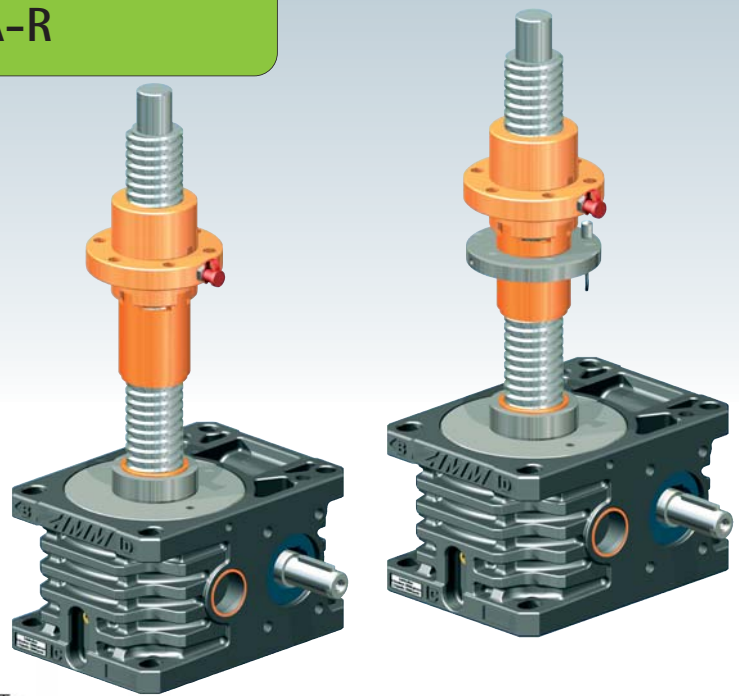




SIFA-R rotating screw



Function R version



The load is borne by the duplex nut. The safety nut runs alongside the duplex nut, bearing no load. If the nut thread is worn through due to wear, the SIFA takes the load.

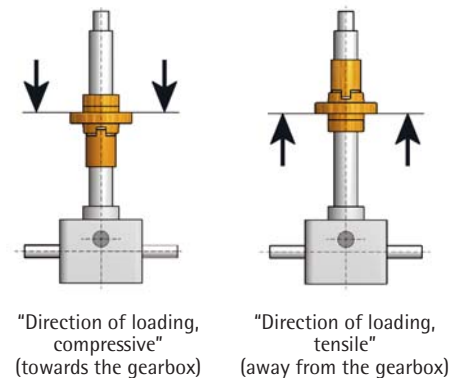
Direction of loading, tensile or compressive  
A drawing showing the direction of loading is necessary in order to ensure the safety function. The SIFA-R operates in only one direction of loading.

- further technical information: Page 51
- see the respective screw jack page for all other dimensions
- see Section 4 for accessories
- SIFA in combination with self-aligning nut PM available on request

Screw jacks	Tr thread	H	D1	D	d3j6	O	L1	L2	L3 <sup>1)</sup>	L4	L5	A <sup>2)</sup>
Z-5	18x4	62	29	24	12	15	8	70	10	12	20	3
Z-10	20x4	74	39	28	15	20	8	84	10	16	20	3
Z-25	30x6	82	46	38	20	25	5	95	10	17	23	4
Z-35	40x7	100	60	50	25	30	7	133	10	19	36	4
Z-50	40x7	116	60	50	25	30	7	133	10	19	36	4
Z-100	55x9	160	85	65	40	45	8	173	20	30	54	6
Z-150	60x9	185	90	70	45	55	7	211	20	32	75	6
Z-250	80x16	193	120	100	60	75	5	250	20	37	85	9
Z-350	100x16	230	150	120	80	100	6	270	20	24	100	9
Z-500	120x16	260	170	135	95	120	6	303	40	32	110	9
Z-750	140x20	310	200	170	100	120	10	365	40	37	140	12
Z-1000	160x20	340	250	190	130	175	13	500	40	32	210	12

<sup>1)</sup> see Section 8 for extension if bellows or spiral spring is fitted  
<sup>2)</sup> approx. original setting, must be measured and documented by the customer, and referred to when checking

Make sure you fit it the right way up:

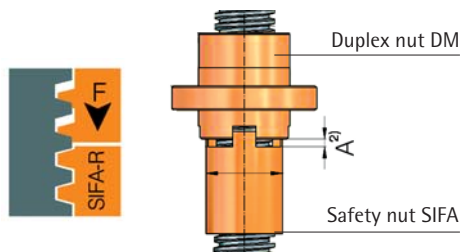


## SIFA-R, monitoring

### Visual

Dimension A is approx. the original setting. Dimension A must be measured and documented by the customer, and referred to when checking.

This enables substitution to be planned well in advance and therefore prevents any unnecessary downtime. When the thread is worn through, take the equipment out of service immediately.



### Electrical

The initiator must be set that it switches off when the load nut reaches 25% of the wear. This enables a replacement to be planned well in advance and therefore prevents any unnecessary downtime. When the thread is worn through, take the system out of service immediately.

