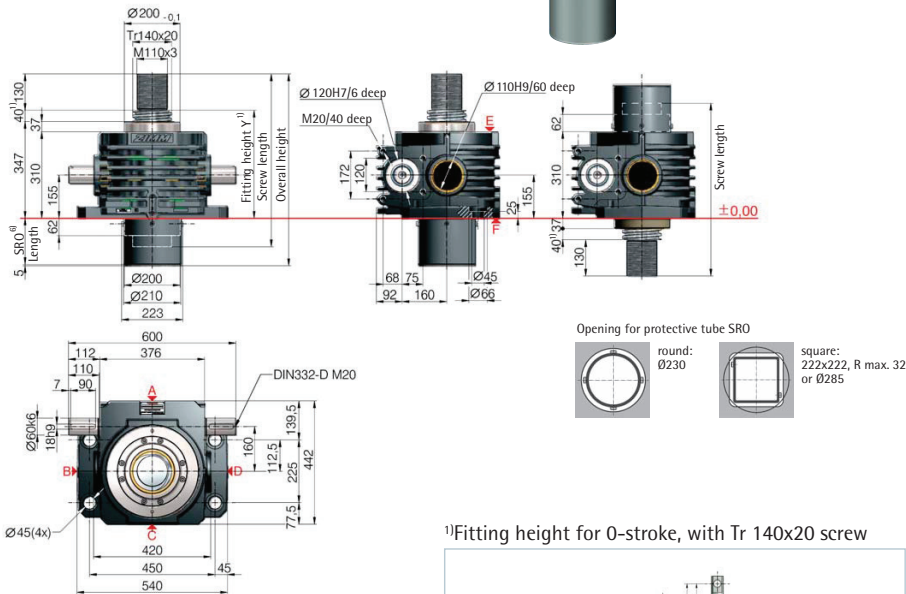
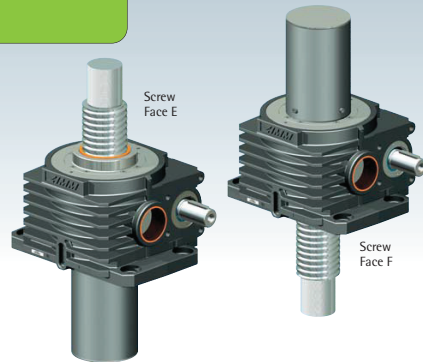




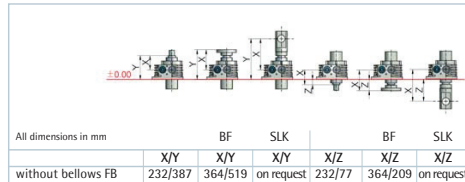
Z-750-S translating screw 750 kN



⑥ Protective tube length SRO with Tr 140x20 screw

only screw	with escape protection AS	with rotation protection VS	with VS and limit switch set ES
○ Ø210	○ Ø210	□ 200x200	□ 200x200
157+stroke	197+stroke	197+stroke	205+stroke

① Fitting height for 0-stroke, with Tr 140x20 screw



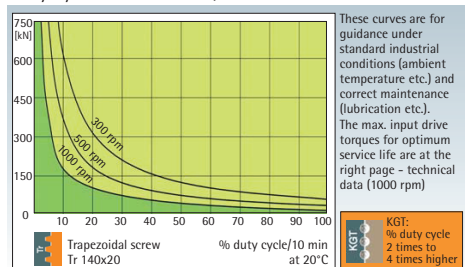
Standard ratios

Type	Version	Speed	Standard screw ¹⁾	i	Stroke per drive shaft rotation ²⁾
Z-750-SN	Translating	Normal	Tr 140x20	13.33:1	1.5 mm
Z-750-SL	screw	Low speed		40:1	0.5 mm
Z-750-RN	Rotating	Normal	Tr 140x20	13.33:1	1.5 mm
Z-750-RL	screw	Low speed		40:1	0.5 mm

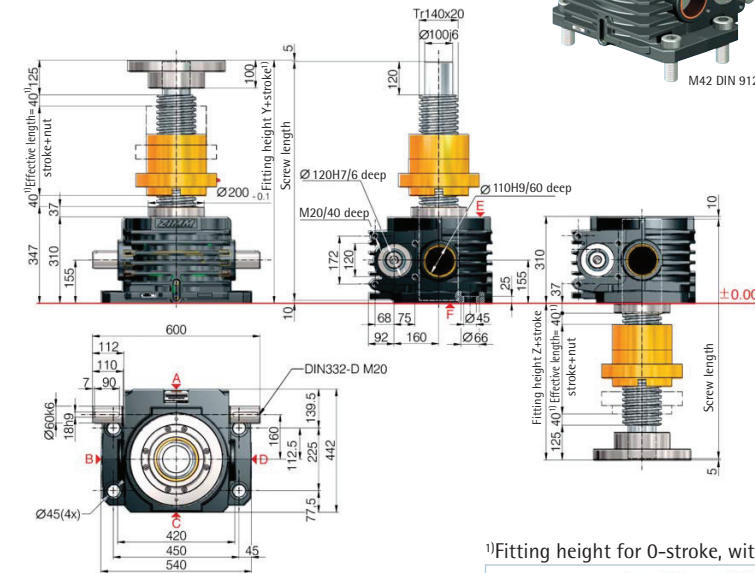
Screw jack mounting



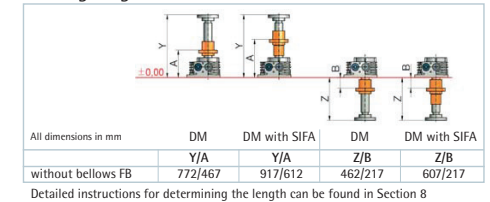
Duty cycle thermal limit, for S+R



Z-750-R rotating screw 750 kN



① Fitting height for 0-stroke, with Tr 140x20 screw



750 kN

Technical data series Z-750-S / Z-750-R

max. compressive/tensile force, static - 750 kN (75 t)
 max. compressive/tensile force, dynamic - see duty cycle curves
 Nominal speed - 1000 rpm
 max. drive shaft speed - 1000 rpm
 Screw size standard - Tr 140x20³⁾
 Gear ratio - 13.33:1 (N) / 40:1 (L)
 Housing material - GGG-50, corrosion-resistant
 Worm shaft - steel, case-hardened, ground
 Weight of screw jack body - 262 kg
 Weight of screw/m - 104 kg
 Gearbox lubrication - synthetic gear oil
 Screw lubrication - grease lubrication
 Gearbox operating temperature - max. 60°C, higher on request
 Moment of inertia - N: 518.1 kg cm² / L: 256.1 kg cm²
 Input torque (at 1000 rpm) - max. 480 Nm (N) / max. 210 Nm (L)
 Drive-through torque - max. 4570 Nm

Drive torque M₀ (Nm) - F (kN) x 1.22^{3a)} + M₀ (N-normal)
 - F (kN) x 0.54^{3a)} + M₀ (L-low speed)
 Breakaway torque - Drive torque M₀ x 1.5
 Idling torque⁴⁾ M₀ (Nm) - 7.28 (N-normal) / 4.42 (L-low speed)
 Between gearbox and nut or nut and end of thread, provide for a safety distance of (minimum) 40 mm!
 See Section 7 for the checklist.
Important information
 1) - extension if a bellows or spiral spring is fitted: see Section 8
 2) - Tr 140x20 is standard, also available: double-pitch, stainless steel, left-handed, increased screw Tr 160x20 (only for the R version)
 3) - factor includes efficiency, ratio and 30% safety
 4) - at 20°C, can be higher when new
 5) - for a 20 mm screw pitch