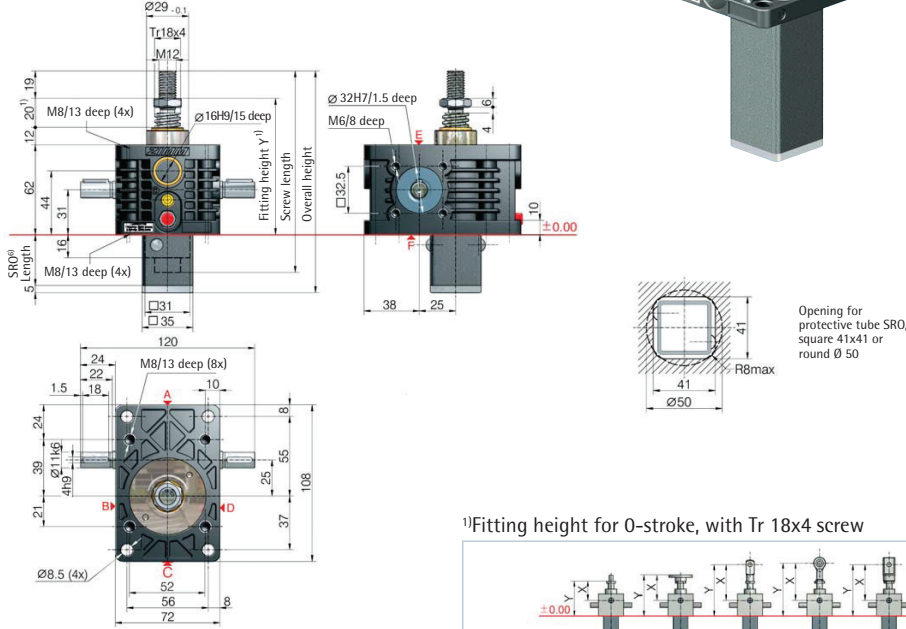


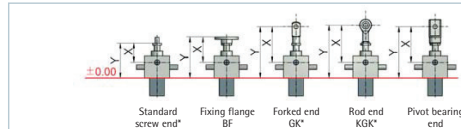
UNIQUE:
Screw lubrication
during operation

Z-5-S translating screw 5 kN



Opening for
protective tube SRO,
square 41x41 or
round Ø 50

1) Fitting height for 0-stroke, with Tr 18x4 screw



All dimensions in mm

Bel lows FB	X/Y	X/Y	X/Y	X/Y	X/Y
without bellows FB	50/94	70/114	98/142	100/144	98/142
Z-5-FB-265	83/127	83/127	131/175	133/177	111/155
Z-5-FB-500	148/192	148/192	196/240	198/242	176/220
Z-5-FB-800	168/212	168/212	216/260	218/262	196/240

2) Protective tube length SRO with Tr 18x4 screw

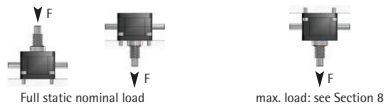
Without escape/rotation protection	Escape/rotation protection	Rotation protection, with limit switch set ES	Rotation protection with ES and KAR*
46+stroke	61+stroke	119+stroke	140+stroke

*Hinged bearing plate KAR, fitted on face F (below).

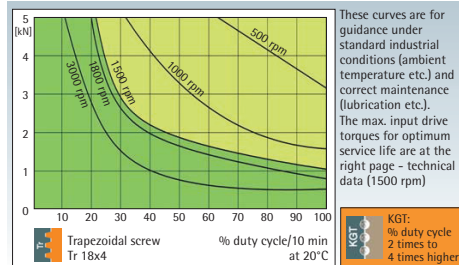
Standard ratios

Type	Version	Speed	Standard screw ²⁾	i	Stroke per drive shaft rotation ³⁾
Z-5-SN	Translating	Normal	Tr 18x4	4:1	1.00 mm
Z-5-SL	screw	Low		16:1	0.25 mm
Z-5-RN	Rotating	Normal	Tr 18x4	4:1	1.00 mm
Z-5-RL	screw	Low		16:1	0.25 mm

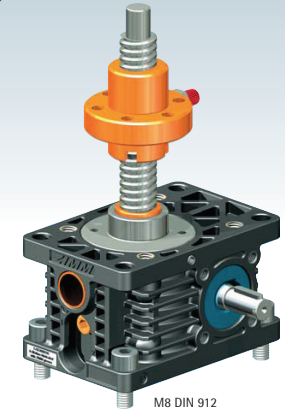
Screw jack mounting



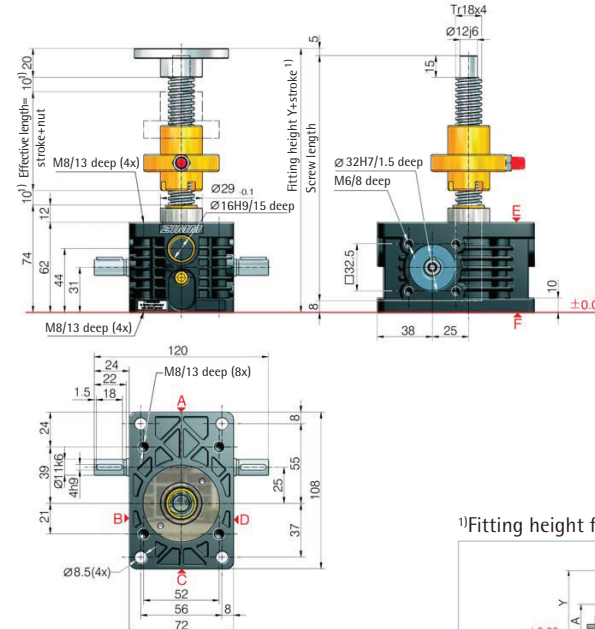
Duty cycle thermal limit, for S+R



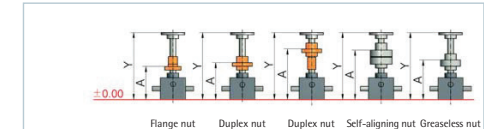
These curves are for guidance under standard industrial conditions (ambient temperature etc.) and correct maintenance (lubrication etc.). The max. input drive torques for optimum service life are at the right page - technical data (1500 rpm)



Z-5-R rotating screw 5 kN



1) Fitting height for 0-stroke, with Tr 18x4 screw



All dimensions in mm

Bel lows FB	Y/A	Y/A	Y/A	Y/A	Y/A
without bellows FB	149/96	159/109	184/134	192/141	167/117
2x Z-5-FB-265	-	207/132	229/154	240/164	215/140
2x Z-5-FB-500	-	337/197	359/219	370/229	345/205
2x Z-5-FB-800	-	377/217	399/239	410/249	385/225

Detailed instructions for determining the length can be found in Section 8

5 kN

Technical data series Z-5-S / Z-5-R

max. compressive/tensile force, static	- 5 kN (0.5 t)
max. compressive/tensile force, dynamic	- see duty cycle curves
Nominal speed	- 1500 rpm
max. drive shaft speed	- 3000 rpm (depending on the load and duty cycle)
Screw size standard	- Tr 18x4 ²⁾
Gear ratio	- 4:1 (N) / 16:1 (L)
Housing material	- aluminium, corrosion-resistant
Worm shaft	- steel, case-hardened, ground
Weight of screw jack body	- 1.2 kg
Weight of screw/m	- 1.58 kg
Gearbox lubrication	- synthetic fluid grease
Screw lubrication	- grease lubrication
Gearbox operating temperature	- max. 60°C, higher on request
Moment of inertia	- N: 0.217 kg cm ² / L: 0.117 kg cm ²
Input torque (at 1500 rpm)	- max. 4.7 Nm (N) / max. 1.5 Nm (L)
Drive-through torque	- max. 39 Nm

Drive torque M ₀ (Nm)	- F (kN) x 0.62 ³⁾ + M ₀ (N-normal) - F (kN) x 0.21 ³⁾ + M ₀ (L-low)
Breakaway torque	- Drive torque M ₀ x 1.5
Idling torque ⁴⁾ M ₀ (Nm)	- 0.10 (N-normal) / 0.08 (L-low speed)
Between gearbox and nut or nut and end of thread, provide for a safety distance of (minimum) 10 mm!	
See Section 7 for the checklist.	
Important information	
1) - extension if a bellows or spiral spring is fitted: see the table or Section 8	
2) - Tr 18x4 is standard, also available: double-pitch, stainless steel, left-handed, increased screw Tr 20x4 (only for the R version)	
3) - factor includes efficiency, ratio and 30% safety	
4) - at 20°C, can be higher when new	
5) - for a 4 mm screw pitch	