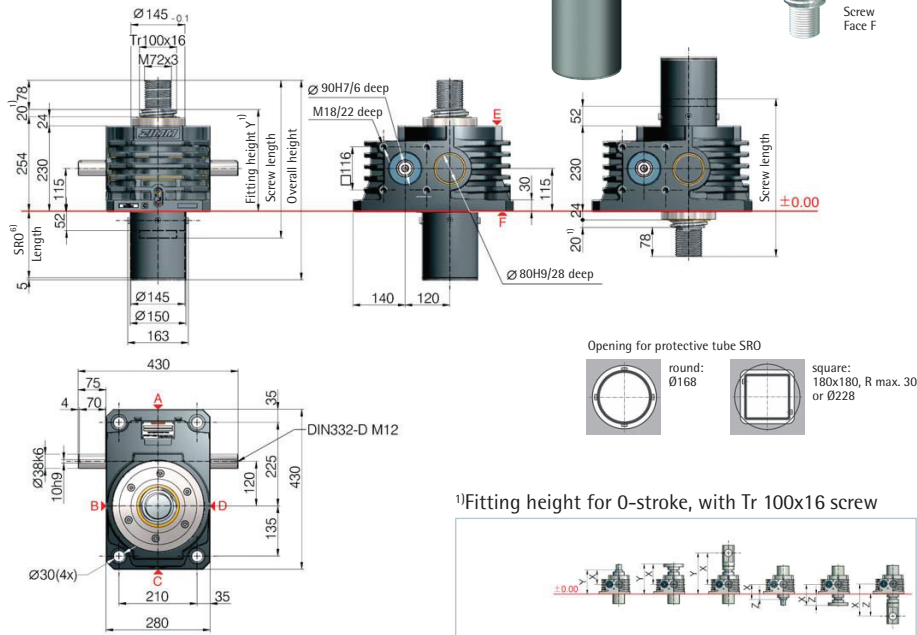




Z-350-S translating screw 350 kN



Protective tube length SRO with Tr 100x16 screw

only screw	with escape protection AS	with rotation protection VS	with VS and limit switch set ES
107+stroke	142+stroke	142+stroke	166+stroke

Fitting height for 0-stroke, with Tr 100x16 screw

All dimensions in mm		BF		SLK	
Bel lows FB	X/Y	X/Y	X/Y	X/Z	X/Z
without bellows FB	159/274	239/354	354/469	159/44	239/124
Z-350-FB-600	262/377	317/432	432/547	262/147	317/202
Z-350-FB-900	270/385	325/440	440/555	270/155	325/210
Z-350-FB-1500	342/457	397/512	512/627	342/227	397/282

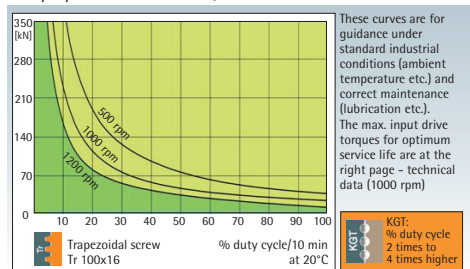
Standard ratios

Type	Version	Speed	Standard screw ¹⁾	i	Stroke per drive shaft rotation ²⁾
Z-350-SN	Translating screw	Normal	Tr 100x16	10.66:1	1.5 mm
Z-350-SL	Low speed	Low speed	Tr 100x16	32:1	0.5 mm
Z-350-RN	Rotating screw	Normal	Tr 100x16	10.66:1	1.5 mm
Z-350-RL	Low speed	Low speed	Tr 100x16	32:1	0.5 mm

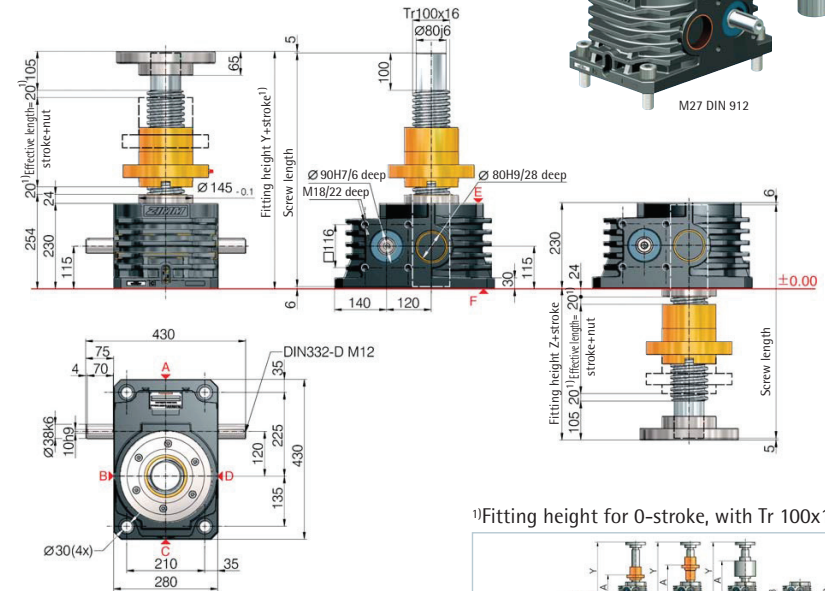
Screw jack mounting



Duty cycle thermal limit, for S+R



Z-350-R rotating screw 350 kN



Fitting height for 0-stroke, with Tr 100x16 screw

All dimensions in mm		DM		DM with SIFA		DM	
Bel lows FB	Y/A	Y/A	Y/A	Z/B	SIFA	Z/B	Z/B
without bellows FB	559/334	669/444	674/509	329/144	439/144	444/84	444/84
2x Z-350-FB-600	677/412	781/516	792/587	447/222	557/222	562/162	562/162
2x Z-350-FB-900	693/420	797/524	808/595	463/230	573/230	578/170	578/170
2x Z-350-FB-1500	837/492	941/596	952/667	607/302	717/302	722/242	722/242

Detailed instructions for determining the length can be found in Section 8

350 kN

Technical data series Z-350-S / Z-350-R

max. compressive/tensile force, static	- 350 kN (35 t)
max. compressive/tensile force, dynamic	- see duty cycle curves
Nominal speed	- 1200 rpm
max. drive shaft speed	- 1200 rpm
Screw size standard	- Tr 100x16 ³⁾
Gear ratio	- 10.66:1 (N) / 32:1 (L)
Housing material	- GGG-50, corrosion-resistant
Worm shaft	- steel, case-hardened, ground
Weight of screw jack body	- 112 kg
Weight of screw/m	- 52 kg
Gearbox lubrication	- synthetic gear oil
Screw lubrication	- grease lubrication
Gearbox operating temperature	- max. 60°C, higher on request
Moment of inertia	- N: 148.9 kg cm ² / L: 66.1 kg cm ²
Input torque (at 1000 rpm)	- max. 265 Nm (N) / max. 100 Nm (L)
Drive-through torque	- max. 1800 Nm

Drive torque M ₀ (Nm)	- F (kN) x 1.09 ³⁾ + M ₀ (N-normal) - F (kN) x 0.42 ³⁾ + M ₀ (L-low speed)
Breakaway torque	- Drive torque M ₀ x 1.5
Idling torque ⁴⁾ M ₀ (Nm)	- 3.24 (N-normal) / 2.20 (L-low speed)
Between gearbox and nut or nut and end of thread, provide for a safety distance of (minimum) 20 mm!	
See Section 7 for the checklist.	
Important information	
1) - extension if a bellows or spiral spring is fitted: see the table or Section 8	
2) - Tr 100x16 is standard, also available: double-pitch, stainless steel, left-handed, increased screw Tr 120x16 (only for the R version)	
3) - factor includes efficiency, ratio and 30% safety	
4) - at 20°C, can be higher when new	
5) - for a 16 mm screw pitch	