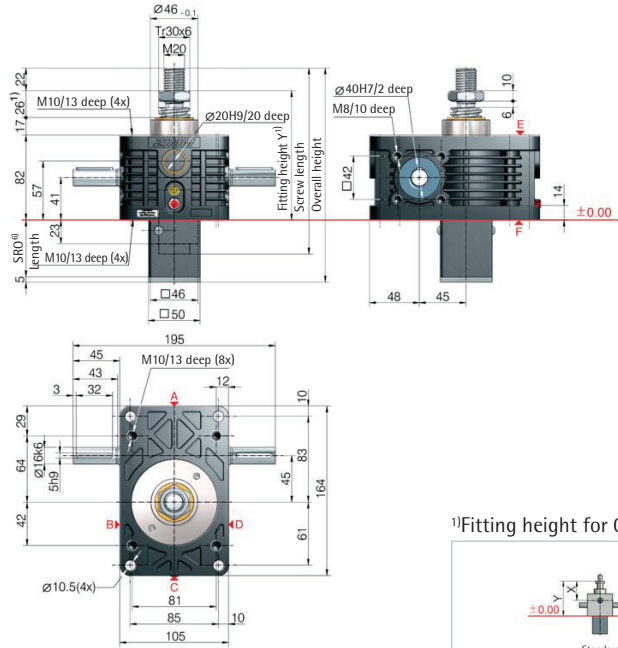
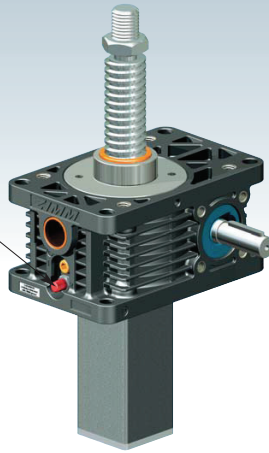


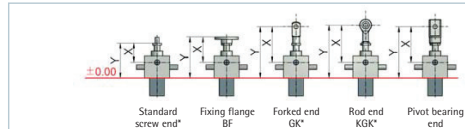


Z-25-S translating screw 25 kN

UNIQUE:
Screw lubrication
during operation



1) Fitting height for 0-stroke, with Tr 30x6 screw



6) Protective tube length SRO with Tr 30x6 screw

	Without escape/rotation protection	Escape/rotation protection	Rotation protection, with limit switch set ES	Rotation protection with ES and KAR*
53+stroke		73+stroke	125+stroke	149+stroke

*Hinged bearing plate KAR, fitted on face F (below).

*with bellows fixing ring Z-25-FBR

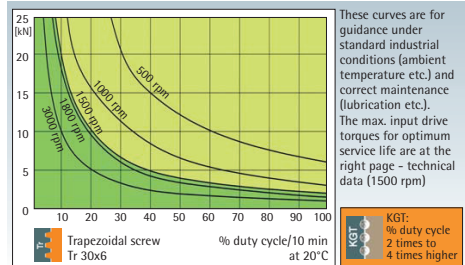
Standard ratios

Type	Version	Speed	Standard screw ²⁾	i	Stroke per drive shaft rotation ³⁾
Z-25-SN	Translating	Normal	Tr 30x6	6:1	1.00 mm
Z-25-SL	screw	Low speed		24:1	0.25 mm
Z-25-RN	Rotating	Normal	Tr 30x6	6:1	1.00 mm
Z-25-RL	screw	Low speed		24:1	0.25 mm

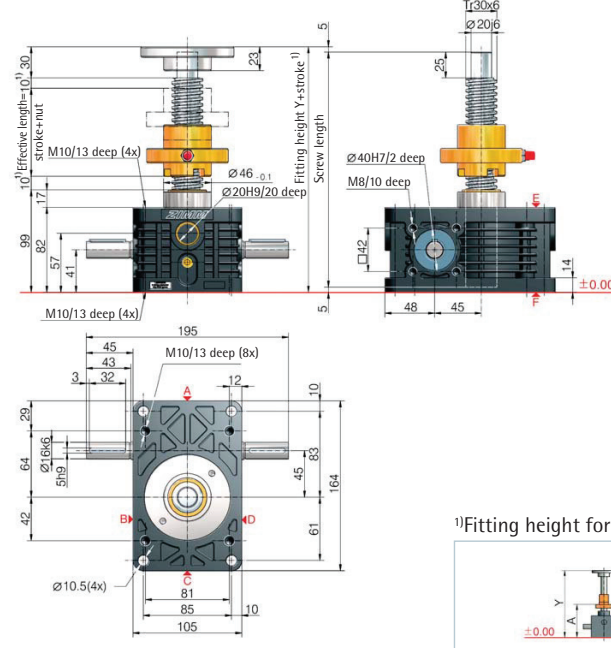
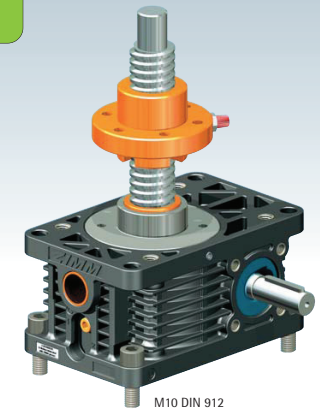
Screw jack mounting



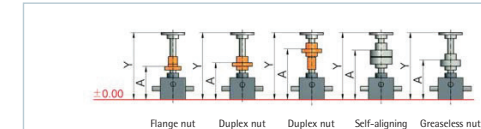
Duty cycle thermal limit, for S+R



Z-25-R rotating screw 25 kN



1) Fitting height for 0-stroke, with Tr 30x6 screw



Bel lows FB	Y/A	Y/A	Y/A	Y/A	Y/A
without bellows FB	195/123	199/136	244/181	244/177	208/145
2x Z-25-FB-300	-	314/196	353/235	359/237	325/207
2x Z-25-FB-700	-	374/226	413/265	419/267	385/237
2x Z-25-FB-1000	-	414/246	453/285	459/287	425/257

Detailed instructions for determining the length can be found in Section 8

25 kN

Technical data series Z-25-S / Z-25-R

max. compressive/tensile force, static	- 25 kN (2.5 t)
max. compressive/tensile force, dynamic	- see duty cycle curves
Nominal speed	- 1500 rpm
max. drive shaft speed	- 3000 rpm (depending on the load and duty cycle)
Screw size standard	- Tr 30x6 ²⁾
Gear ratio	- 6:1 (N) / 24:1 (L)
Housing material	- aluminium, corrosion-resistant
Worm shaft	- steel, case-hardened, ground
Weight of screw jack body	- 3.8 kg
Weight of screw/m	- 4.5 kg
Gearbox lubrication	- synthetic fluid grease
Screw lubrication	- grease lubrication
Gearbox operating temperature	- max. 60°C, higher on request
Moment of inertia	- N: 1.449 kg cm ² / L: 0.589 kg cm ²
Input torque (at 1500 rpm)	- max. 18 Nm (N) / max. 10 Nm (L)
Drive-through torque	- max. 108 Nm

Drive torque M ₀ (Nm)	- F (kN) x 0.63 ³⁾ + M ₀ (N-normal)
	- F (kN) x 0.20 ³⁾ + M ₀ (L-low speed)
Breakaway torque	- Drive torque M ₀ x 1.5
Idling torque ⁴⁾ M ₀ (Nm)	- 0.36 (N-normal) / 0.26 (L-low speed)
Between gearbox and nut or nut and end of thread, provide for a safety distance of (minimum) 10 mm!	
See Section 7 for the checklist.	
Important information	
1) - extension if a bellows or spiral spring is fitted: see the table or Section 8	
2) - Tr 30x6 is standard, also available: double-pitch, stainless steel, left-handed, increased screw Tr 40x7 (only for the R version)	
3) - factor includes efficiency, ratio and 30% safety	
4) - at 20°C, can be higher when new	
5) - for a 6 mm screw pitch	