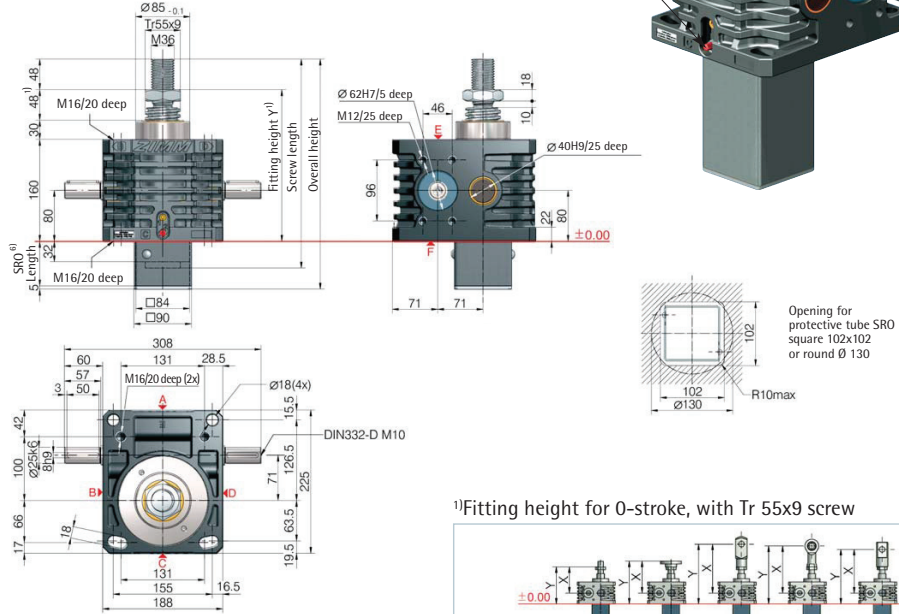




Z-100-S translating screw 100 kN



<sup>1)</sup>Fitting height for 0-stroke, with Tr 55x9 screw

All dimensions in mm

Bel lows FB	X/Y	X/Y	X/Y	X/Y	X/Y
without bellows FB	158/238	208/288	302/382	300/380	266/346
Z-100-FB-285	231/311	233/313	375/455	373/453	291/371
Z-100-FB-600	228/308	230/310	372/452	370/450	288/368
Z-100-FB-1000	286/366	288/368	430/510	428/508	346/426
Z-100-FB-1500	336/416	338/418	480/560	478/558	396/476

\*with bellows fixing ring Z-100-FBR

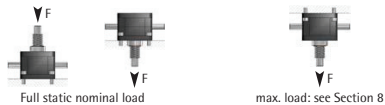
<sup>6)</sup>Protective tube length SRO with Tr 55x9 screw

Without escape/rotation protection	Escape/rotation protection	Rotation protection, with limit switch set ES
82+stroke	112+stroke	144+stroke

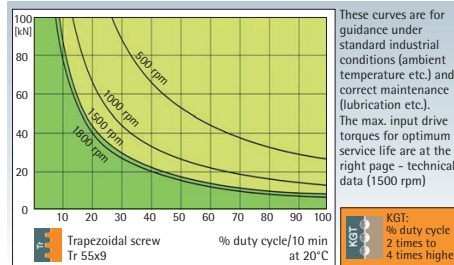
Standard ratios

Type	Version	Speed	Standard screw <sup>2)</sup>	i	Stroke per drive shaft rotation <sup>3)</sup>
Z-100-SN	Translating	Normal	Tr 55x9	9:1	1.00 mm
Z-100-SL	screw	Low speed		36:1	0.25 mm
Z-100-RN	Rotating	Normal	Tr 55x9	9:1	1.00 mm
Z-100-RL	screw	Low speed		36:1	0.25 mm

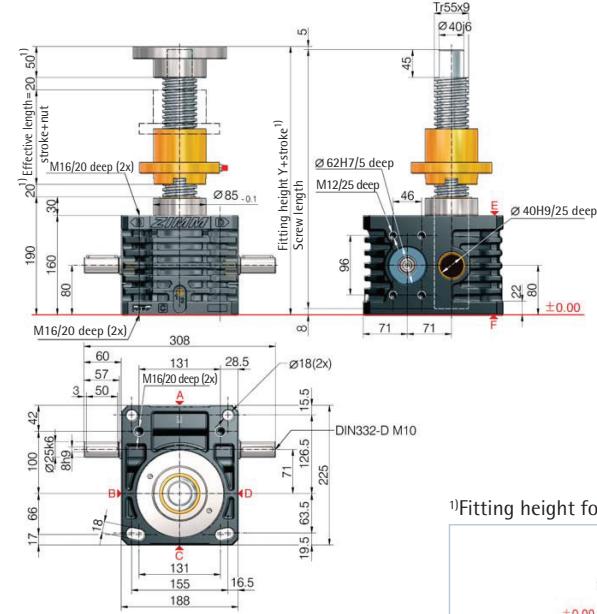
Screw jack mounting



Duty cycle thermal limit, for S+R



Z-100-R rotating screw 100 kN



<sup>1)</sup>Fitting height for 0-stroke, with Tr 55x9 screw

All dimensions in mm

Bel lows FB	Y/A	Y/A	Y/A
without bellows FB	370/246	453/329	470/355
2x Z-100-FB-285	478/299	556/377	578/408
2x Z-100-FB-600	472/296	550/374	572/405
2x Z-100-FB-1000	588/354	666/432	688/463
2x Z-100-FB-1500	688/404	766/482	788/513

Detailed instructions for determining the length can be found in Section 8

100 kN

Technical data series Z-100-S / Z-100-R

max. compressive/tensile force, static	- 100 kN (10 t)
max. compressive/tensile force, dynamic	- see duty cycle curves
Nominal speed	- 1500 rpm
max. drive shaft speed	- 1800 rpm
Screw size standard	- Tr 55x9 <sup>2)</sup>
Gear ratio	- 9:1 (N) / 36:1 (L)
Housing material	- GGG-50, corrosion-resistant
Worm shaft	- steel, case-hardened, ground
Weight of screw jack body	- 29 kg
Weight of screw/m	- 15.7 kg
Gearbox lubrication	- synthetic fluid grease
Screw lubrication	- grease lubrication
Gearbox operating temperature	- max. 60°C, higher on request
Moment of inertia	- N: 12.53 kg cm <sup>2</sup> / L: 4.75 kg cm <sup>2</sup>
Input torque (at 1500 rpm)	- max. 53.4 Nm (N) / max. 13.5 Nm (L)
Drive-through torque	- max. 540 Nm

Drive torque M <sub>0</sub> (Nm)	- F (kN) x 0.72 <sup>3)</sup> + M <sub>0</sub> (N-normal)
	- F (kN) x 0.23 <sup>3)</sup> + M <sub>0</sub> (L-low speed)
Breakaway torque	- Drive torque M <sub>0</sub> x 1.5
Idling torque <sup>4)</sup> M <sub>0</sub> (Nm)	- 1.68 (N-normal) / 1.02 (L-low speed)
Between gearbox and nut or nut and end of thread, provide for a safety distance of (minimum) 20 mm!	
See Section 7 for the checklist.	
<b>Important information</b>	
1) - extension if a bellows or spiral spring is fitted: see the table or Section 8	
2) - Tr 55x9 is standard, also available: double-pitch, stainless steel, left-handed, increased screw Tr 60x9 (only for the R version)	
3) - factor includes efficiency, ratio and 30% safety	
4) - at 20°C, can be higher when new	
5) - for a 9 mm screw pitch	