

Material:

18MnNb 6 with significantly higher load carrying capacity due to the use of niobium (Nb):

- Higher wear resistance
- Fine-grain structure
- Very suitable for welding

Delivery versions:**Standard:**

bright rolled

ZUP ---.0700

On request:

precision straightened ± 0.3 mm/m

ZUP ---.0701

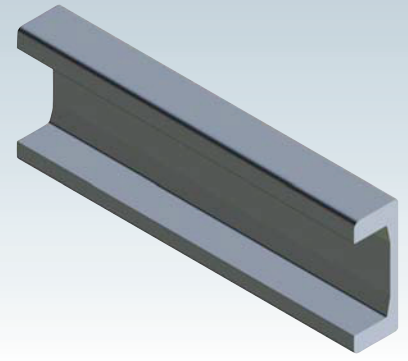
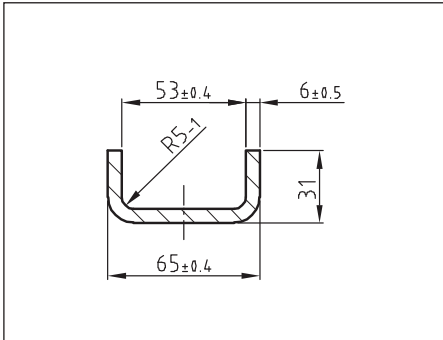
sandblasted

ZUP ---.0702

sandblasted + precision straightened

ZUP ---.0703

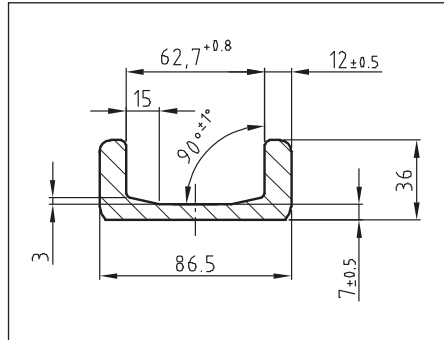
special processing with drawing on request

**U-profiles****ZUP 050.0730 (Standard S)**

Weight: 5.3 kg/m

Wx: 11.8 cm³ lx: 38.5 cm⁴

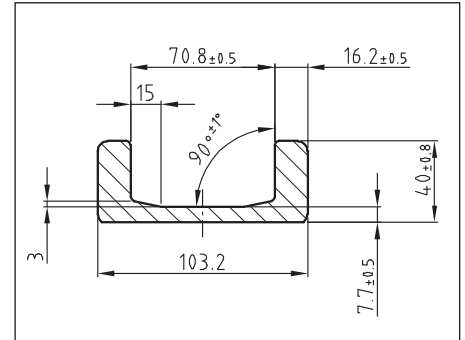
Wy: 2.5 cm³ ly: 5.1 cm⁴

**ZUP 060.0700 (Standard 0 Nb)**

Weight: 10.5 kg/m

Wx: 32 cm³ lx: 139 cm⁴

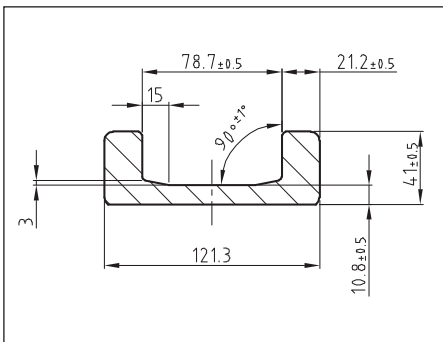
Wy: 6 cm³ ly: 16 cm⁴

**ZUP 070.0700 (Standard 1 Nb)**

Weight: 14.8 kg/m

Wx: 53 cm³ lx: 276 cm⁴

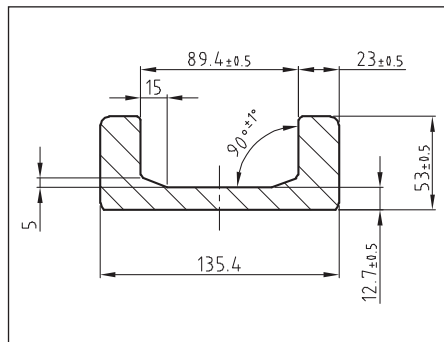
Wy: 11 cm³ ly: 29 cm⁴

**ZUP 080.0700 (Standard 2 Nb)**

Weight: 20.9 kg/m

Wx: 81 cm³ lx: 495 cm⁴

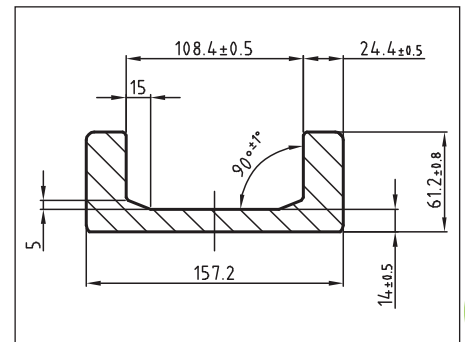
Wy: 15 cm³ ly: 39 cm⁴

**ZUP 090.0700 (Standard 3 Nb)**

Weight: 28.6 kg/m

Wx: 130 cm³ lx: 865 cm⁴

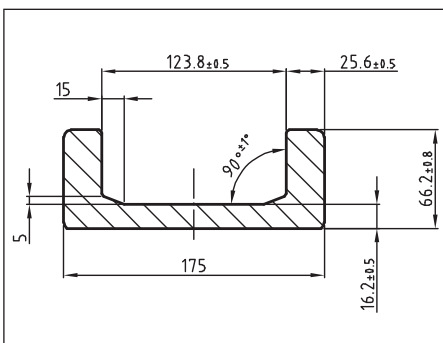
Wy: 31 cm³ ly: 89 cm⁴

**ZUP 110.0700 (Standard 4 Nb)**

Weight: 36 kg/m

Wx: 190 cm³ lx: 1491 cm⁴

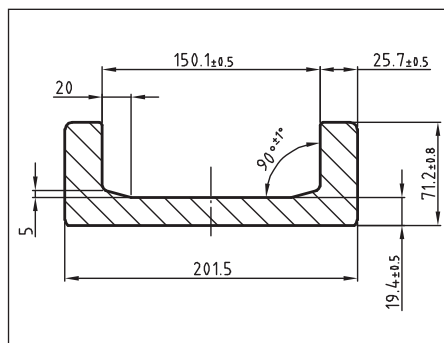
Wy: 39 cm³ ly: 149 cm⁴

**ZUP 120.0700 (Standard 5 Nb)**

Weight: 42.8 kg/m

Wx: 251 cm³ lx: 2192 cm⁴

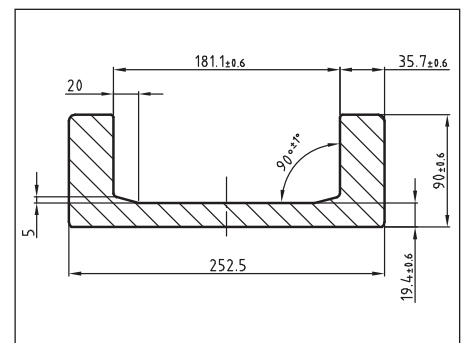
Wy: 51 cm³ ly: 212 cm⁴

**ZUP 150.0700 (Standard 6 Nb)**

Weight: 52.3 kg/m

Wx: 342 cm³ lx: 3432 cm⁴

Wy: 57 cm³ ly: 273 cm⁴

**ZUP 180.0700 (Standard 8 Nb)**

Weight: 78.51 kg/m

Wx: 682.2 cm³ lx: 8612.5 cm⁴

Wy: 223.4 cm³ ly: 720.2 cm⁴

**Ordering example:**

ZUP 070.0700

U-profile with internal size 70.8 mm,
bright rolled