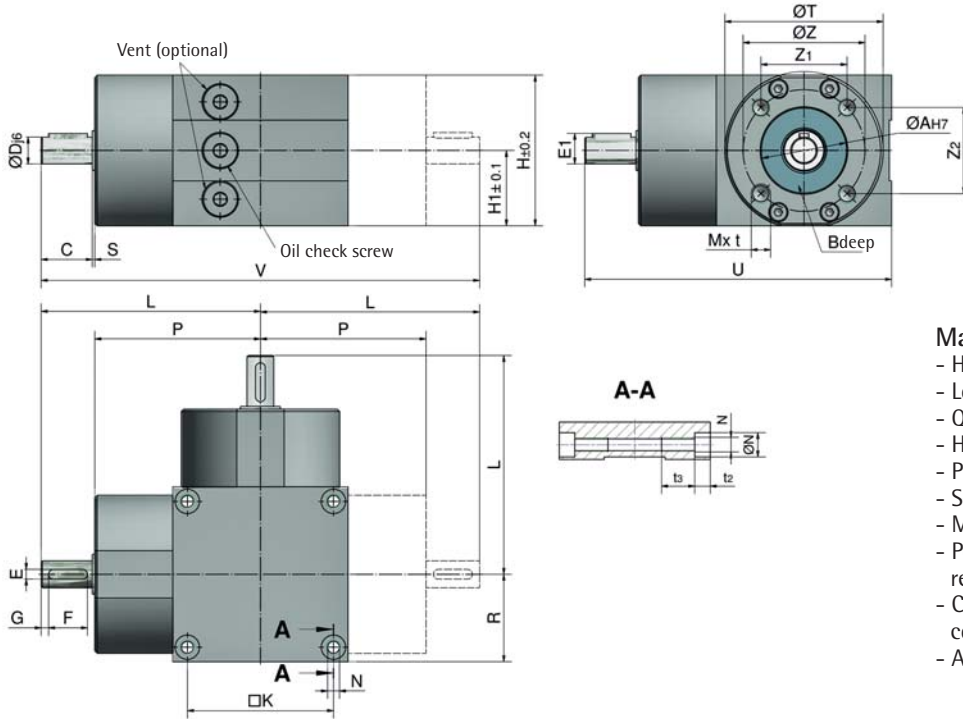


spiral-toothed



Bevel gearboxes KSZ-H – 5 to 35 kN



Material specifications:

- Housing material: EN-GJL-200 (GGL 20)
- Low-backlash version
- Quiet running
- High torque transmission in a small size
- Pre-loaded taper roller bearings
- Sealing by means of shaft seals and O-rings
- Max. 40% duty factor at 1500 rpm
- Permanent lubrication with oil; oil change required only on heavy duty applications
- Compatible with screw jack modular components
- All installation dimensions symmetrical

Dimensions

Part no.	ØAH7	B	C	Dj6	Eh9	E1	F	G	H	H1	□K	L	M	t	N	ØN	t2	t3	P	R	S	ØT	U	V	ØZ	Z1	Z2
KSZ-H-5-L/T	35	3	21	11	4	12.5	16	3	62	31	60	90	M8	12	M6	10	6.4	20	68	36	1	65 ¹⁾	126	180	50	35.4	35.4
KSZ-H-10-L/T	40	3	26	14	5	16	20	3	74	37	70	105	M8	12	M8	11	8.2	25	77.5	42.5	1.5	77 ²⁾	147.5	210	59.4	42	42
KSZ-H-25-L/T	42	3	27	16	5	18	22	3	82	41	78	117	M10	15	M8	11	8.2	25	88.5	47.5	1.5	91 ³⁾	164.5	234	71.7	62	36
KSZ-H-35-L/T	52	4	34	19	6	21.5	28	3	100	50	98	150	M10	20	M10	15	10.2	30	114	60	2	102 ⁴⁾	210	300	86	70	50

1) Flattening-off 61 mm 2) Flattening-off 73 mm 3) Flattening-off 80 mm 4) Flattening-off 99 mm

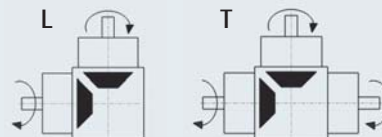
Technical data

Size	i	Permissible torque (drive shaft) Nm at various speeds rpm					Moment of inertia kg cm ²		F _{radial} N	Weight kg	
		100	500	1000	1500	3000	L	T		L	T
KSZ-H-5-L/T	1:1	21	19.8	19.8	19.8	17	0.614	0.748	140	3.1	3.7
	2:1	14	13.7	13.7	13.5	13.2	0.614	0.748	140	3.1	3.7
	3:1	10	10	10.1	10.1	10	0.614	0.748	140	3.1	3.7
KSZ-H-10-L/T	1:1	44.4	41.9	40.2	35.2	28.7	1.855	2.422	200	4.8	6
	2:1	27.5	27.2	27	26.7	26	1.855	2.422	200	4.8	6
	3:1	20.1	20	20	19.9	19.7	1.855	2.422	200	4.8	6
KSZ-H-25-L/T	1:1	72	71	60	52.5	42	3.38	4.215	300	7.2	9.1
	2:1	41	40	40	40	38	3.38	4.215	300	7.2	9.1
	3:1	34	34	33.5	33.5	33	3.38	4.215	300	7.2	9.1
KSZ-H-35-L/T	1:1	162	160	155	135	110	11.055	14.055	550	10.6	14.1
	2:1	78	77	76	74	70	11.055	14.055	550	10.6	14.1
	3:1	51	51	50.5	50	49	11.055	14.055	550	10.6	14.1



Shaft configuration

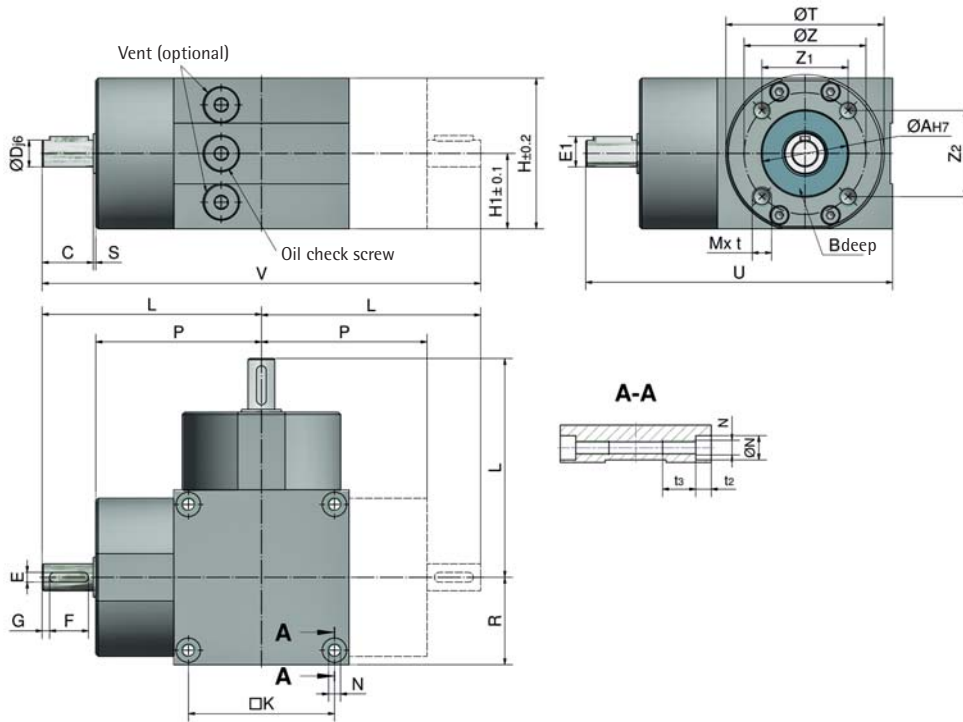
If one of the shafts is vertical, this must be stated when ordering:
e.g.: "vertical drive shaft"



Version T:
The direction of rotation changes when the gearbox is reversed



Bevel gearboxes KSZ-H – 50 to 150 kN



Dimensions

Part no.	$\varnothing AH7$	B	C	Dj6	Eh9	E1	F	G	H	H1	$\square K$	L	M	t	N	$\varnothing N$	t2	t3	P	R	S	$\varnothing T$	U	V	$\varnothing Z$	Z1	Z2
KSZ-H-50-L/T	52	4	39	20	6	22.5	32	3	116	58	110	165	M10	20	M12	20	12.6	30	124	67.5	2	126 ⁵⁾	232.5	330	86	50	70
KSZ-H-100-L/T	62	4	45	32	10	35	40	3	160	80	154	235	M12	22	M12	20	12.6	35	188	94	2	170 ⁶⁾	329	470	106.5	46	96
KSZ-H-150-L/T	62	5	53	38	10	41	50	1.5	185	92.5	180	275	M12	22	M16	26	15.1	40	220	110	2	188 ⁷⁾	385	550	106.5	46	96

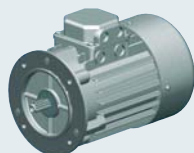
5) Flattening-off 115 mm 6) Flattening-off 159 mm 7) Flattening-off 184 mm

Technical data

Size	i	Permissible torque (drive shaft) Nm at various speeds rpm					Moment of inertia kg cm ²		F_{radial} N	Weight kg	
		100	500	1000	1500	3000	L	T		L	T
KSZ-H-50-L/T	1:1	162	160	158	155	125	11.586	16.269	1100	17	21.4
	2:1	145	144	143	141	115	11.586	16.269	1100	17	21.4
	3:1	100	100	99	98	93	11.586	16.269	1100	17	21.4
KSZ-H-100-L/T	1:1	507	466	455.5	450.5	370	107.8	126.074	1600	54	70.6
	2:1	410	410	400	400	320	107.8	126.074	1600	54	70.6
	3:1	315	315	313	311	320	107.8	126.074	1600	54	70.6
KSZ-H-150-L/T	1:1	781	719.4	703.6	680	540	206.407	236.908	2500	82.1	103
	2:1	675	670	664	657	555	206.407	236.908	2500	82.1	103
	3:1	500	497	494	490	435	206.407	236.908	2500	82.1	103



The spiral-toothed version is recommended for motorised operation



Ordering example:

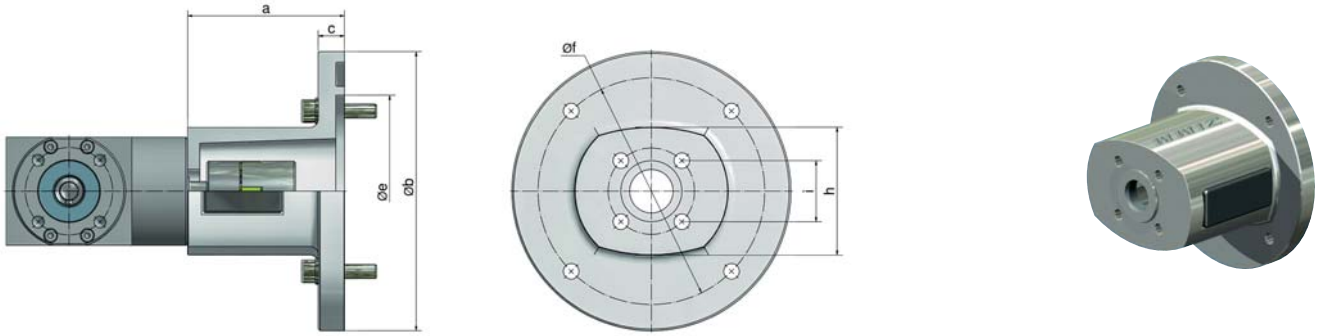
Bevel gearbox
Size
T or L shaft configuration
Drive ratio

KSZ-H-50-T-1:1

spiral-toothed



Bevel gearboxes KSZ-H-5 to KSZ-H-10 – Motor flange combinations



Size KSZ-H	Motor flange part no.	Motor type	Coupling part no. Bore Ø		4 of screws gear- box side 8.8 DIN 7991	4 of socket head cap screws 8.8 DIN 912 (for motor)	a	b	c	e	f	h	i	kg	Transmittable torque Nm ³⁾	
			Size	Gearbox											Motor	max.
KSZ-H-5	Z-10-MF-120-66	63 B14B	KUZ-19	- 11 / 11	M8x16	M6x20 ¹⁾	66	120	10	80	100	73	35.4	0.42	6.1	6.1
KSZ-H-5	Z-10-MF-160-75	71 B14C	KUZ-19	- 11 / 14	M8x16	M8x35 ²⁾	75	160	15	110	130	73	35.4	0.81	5.5	5.5
KSZ-H-5	Z-10-MF-160-90	80 B14B	KUZ-24	- 11 / 19	M8x16	M8x30 ¹⁾	90	160	15	110	130	73	35.4	0.88	13.4	13.4
KSZ-H-10	Z-25-MF-160-105	71 B5	KUZ-28	- 14 / 14	M8x20	M8x35 ²⁾	105	160	15	110	130	81	42	1.11	22.7	22.7
KSZ-H-10	Z-25-MF-160-105	80 B14B	KUZ-28	- 14 / 19	M8x20	M8x30 ¹⁾	105	160	15	110	130	81	42	1.11	27.7	27.7
KSZ-H-10	Z-25-MF-160-105	90 B14B	KUZ-24	- 14 / 24	M8x20	M8x30 ¹⁾	105	160	15	110	130	81	42	1.11	17	27.7
KSZ-H-10	Z-25-MF-160-122	100 B14C	KUZ-28	- 14 / 28	M8x20	M8x30 ¹⁾	122	160	15	110	130	81	42	1.25	27.7	27.7

1) incl. spring washers
2) incl. nuts

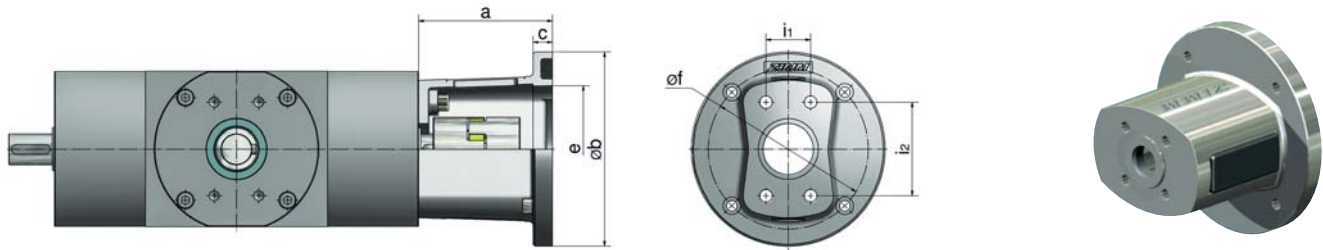
3) only valid for these combinations.
CAUTION: Permissible torque for each KSZ-H must be observed



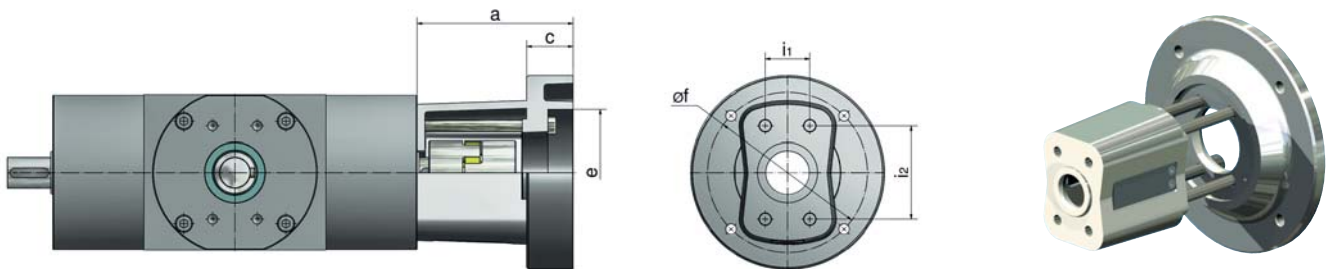


Bevel gearboxes KSZ-H-25 to KSZ-H-150 – Motor flange combinations

Motor flange MF (1 pcs.)



Motor flange base MF-B and Motor flange plate MF-P



Size KSZ-H	Motor flange part no.	Motor type	Coupling part no. Bore Ø		4 of screws gearbox side DIN 912	4 of screws motor side DIN 912	a	b	c	e	f	i1	i2	kg	Transmittable torque Nm ³⁾		
			Size	Gearbox											Motor	max.	
KSZ-H-25	Z-35-MF-160-111	80 B14B	KUZ-24	- 16	/ 19L	M10x30	M8x25 ¹⁾	111	160	15	110	130	36	62	2.6	17	34
KSZ-H-25	Z-35-MF-160-111	90 B14B	KUZ-24	- 16	/ 24	M10x30	M8x25 ¹⁾	111	160	15	110	130	36	62	2.6	17	25.9
KSZ-H-25	Z-35-MF-B+Z-35-MF-P-200	100 B14B	KUZ-28	- 16	/ 28	M10x120	M10x30 ¹⁾	123	200	12	130	165	36	62	3.6	25.9	25.9
KSZ-H-25	Z-35-MF-B+Z-35-MF-P-200	112 B14B	KUZ-28	- 16	/ 28	M10x120	M10x30 ¹⁾	123	200	12	130	165	36	62	3.6	25.9	25.9
KSZ-H-35	Z-50-MF-200-116	90 B5	KUZ-28	- 19	/ 24	M10x30	M10x45 ²⁾	116	200	20	130	165	50	70	4.1	60	72.7
KSZ-H-35	Z-50-MF-200-126	100 B14B	KUZ-28	- 19	/ 28	M10x30	M10x35 ¹⁾	126	200	20	130	165	50	70	4.3	60	72.7
KSZ-H-35	Z-50-MF-200-126	112 B14B	KUZ-28	- 19	/ 28	M10x30	M10x35 ¹⁾	126	200	20	130	165	50	70	4.3	60	72.7
KSZ-H-50	Z-50-MF-200-116	90 B5	KUZ-28	- 20	/ 24	M10x30	M10x45 ²⁾	116	200	20	130	165	50	70	4.1	60	120
KSZ-H-50	Z-50-MF-200-116	100 B14B	KUZ-28	- 20	/ 28	M10x30	M10x35 ¹⁾	126	200	20	130	165	50	70	4.3	60	120
KSZ-H-50	Z-50-MF-200-126	112 B14B	KUZ-28	- 20	/ 28	M10x30	M10x35 ¹⁾	126	200	20	130	165	50	70	4.3	60	120
KSZ-H-100	Z-100/150-MF-200-138	100 B14B	KUZ-38	- 32	/ 28	M12x40	M10x35 ¹⁾	138	200	20	130	165	46	96	5.2	160	164
KSZ-H-100	Z-100/150-MF-200-138	112 B14B	KUZ-38	- 32	/ 28	M12x40	M10x35 ¹⁾	138	200	20	130	165	46	96	5.2	160	164
KSZ-H-100	Z-100/150-MF-B+P-200	132 B14C	KUZ-38	- 32	/ 38	M12x150	M10x65 ¹⁾	161	200	48	130	165	46	96	8.7	160	164
KSZ-H-150	Z-100/150-MF-200-138	100 B14B	KUZ-38	- 38	/ 28	M12x40	M10x35 ¹⁾	138	200	20	130	165	46	96	5.2	160	266
KSZ-H-150	Z-100/150-MF-200-138	112 B14B	KUZ-38	- 38	/ 28	M12x40	M10x35 ¹⁾	138	200	20	130	165	46	96	5.2	160	266
KSZ-H-150	Z-100/150-MF-B+P-200	132 B14C	KUZ-38	- 38	/ 38	M12x150	M10x65 ¹⁾	161	200	48	130	165	46	96	8.7	160	246

1) incl. spring washers

2) incl. nuts

3) only valid for these combinations.

CAUTION: Permissible torque for each KSZ-H must be observed



See in catalogue XII.1.1, Section 4 for standard flanges.