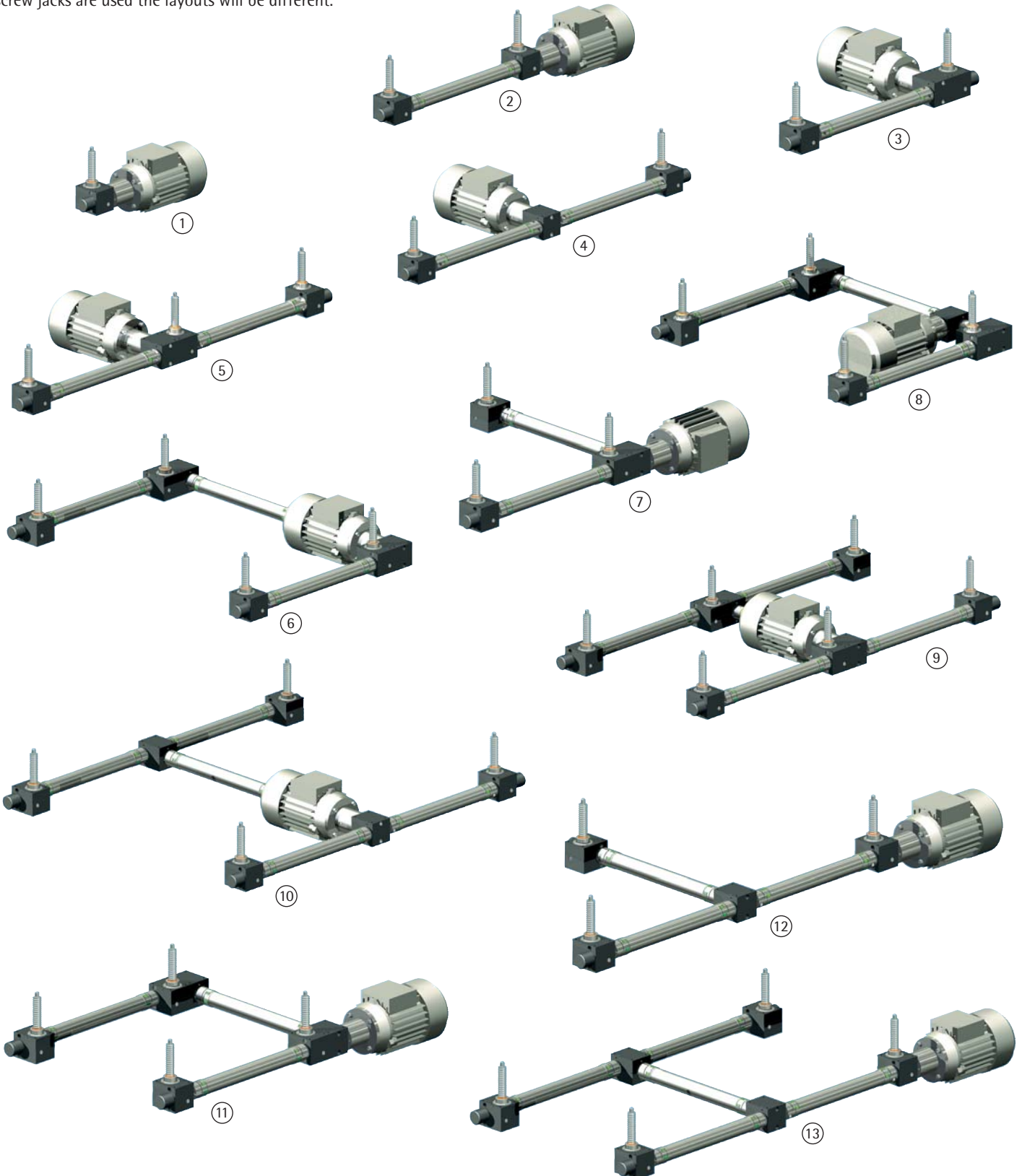


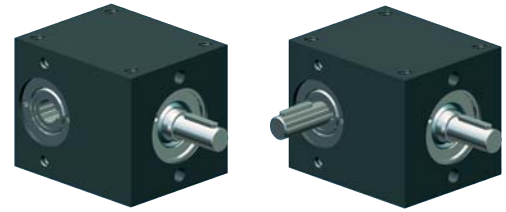
spiral-toothed



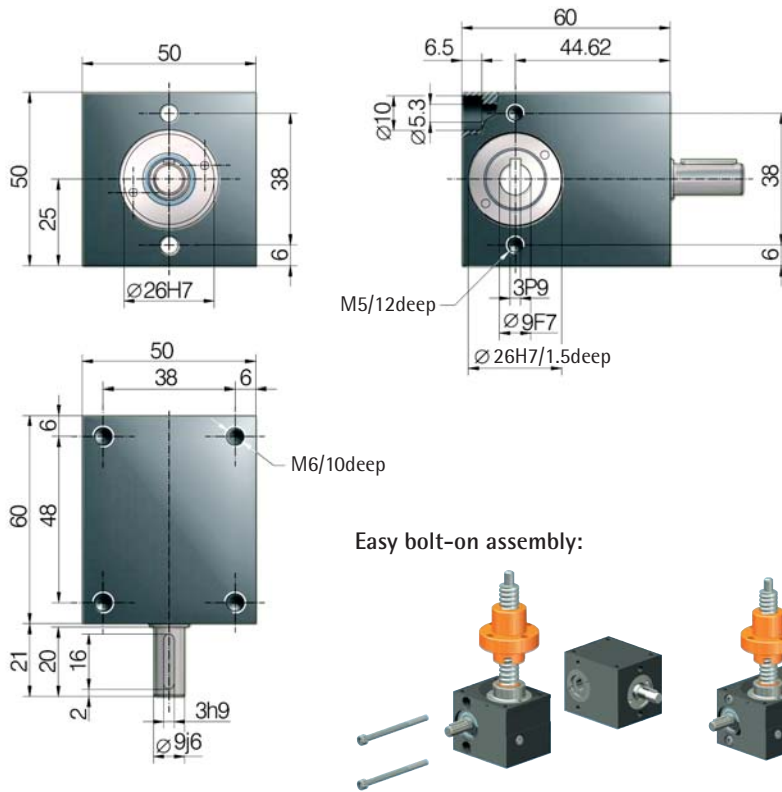
## Bevel gearboxes KSZ-2 – Layout examples

The KSZ-2 is a bolt-on gearbox and therefore where larger screw jacks are used the layouts will be different.

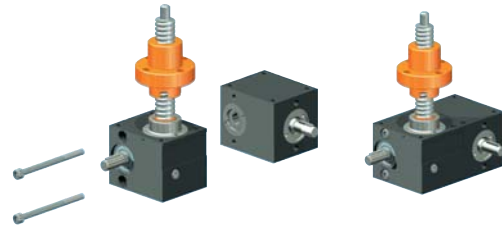




## Bevel gearboxes KSZ-2



Easy bolt-on assembly:



### Technical data

Drive ratio	1:1
Tooth type	spiral-toothed
Nominal speed	1500 rpm
Max. speed	3000 rpm
Nominal torque	3 Nm
Max. torque	4.2 Nm
Idling torque	0.25 Nm
Duty factor	up to 40%
Lubricant	fluid grease
Weight	0.45 kg
Housing material	hard anodised aluminium
Shaft material	stainless steel

### Spiral-toothed

Spiral toothing ensures high torque and low running noise.

### Bolt-on, shaft-mounted gearbox

The KSZ-2 has a continuous hollow shaft. Thus it can easily be bolted on to the GSZ-2 screw jack gearbox and requires very little space.

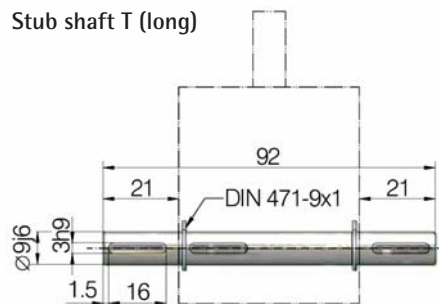
Part no. KSZ-2

Part no. 2 bolts DIN 912 M5x55, A4

## Stub shaft

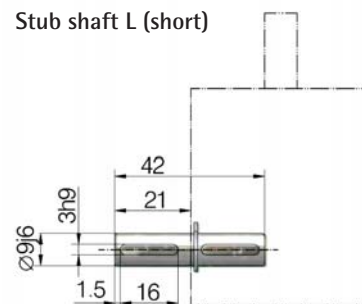


Stub shaft T (long)



Material: stainless steel

Stub shaft L (short)



Material: stainless steel

**i** Fitting a stub shaft allows the KSZ-2 to be used as a conventional right-angle gearbox.

Part no. KSZ-2-STW-T

Part no. KSZ-2-STW-L