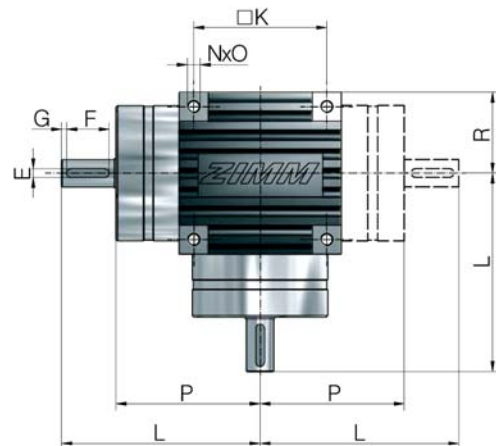
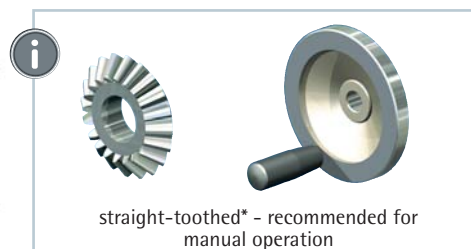
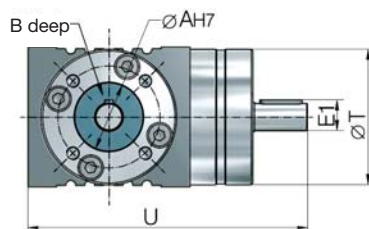
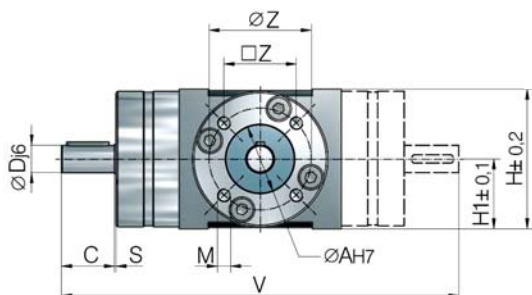
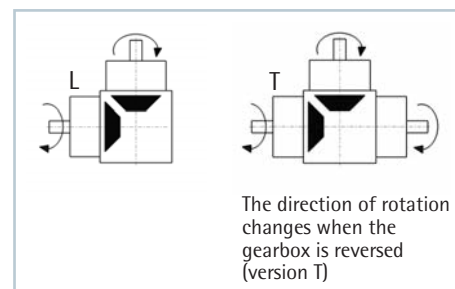


KGZ straight-toothed



Shaft configuration



If one of the shafts is vertical, this must be stated when ordering: e.g.: "vertical drive shaft"

Dimensions

Part no.	Ø AH7	B	C	Dj6	En9	E1	F	G	H	H1	□K	L	L1	M	N	O	P	R	S	Ø T	U	V	Ø Z	□ Z
KGZ-5-L/T-1	32	2	21	11	4	11.5	16	3	62	31	60	90	30	M6	M6	13	69	36.0	1.0	61.5	126.0	180	46.1	32.5
KGZ-25-L/T-1	40	3	31	16	5	18.0	25	3	82	41	78	117	39	M8	M8	15	86	47.5	1.5	80.0	164.5	234	60.0	42.0

Technical data

Size	Permissible torque [Nm] at 10 to 1500 rpm		Moment of inertia Torque [kg cm ²]		Permissible radial load F _R [N] at the shaft end at n ₁ [rpm]				Weight [kg]	
	L version	T version	L	T	500	750	1000	1500	L	T
KGZ-5	6.5	7.5	0.429	0.565	250	210	180	150	2.7	3.4
KGZ-25	14.0	16.0	1.283	1.569	600	500	450	360	5.7	7.0

Material specifications

- Housing material: GGL 20
- Bevel gears: straight-toothed, gas nitrided
- Roller bearings
- Permanent lubrication with oil
- Temperature range -10°C to +90°C

- Drive ratio i = 1:1
- Maximum speed 1500 rpm
- Duty factor 20% (max.)
- Repair: change complete gearbox
- In the upper speed range, values of 90 to 100 dBA may occur



Ordering example:

KGZ-25-T-1

Bevel gearbox
straight-toothed
Size
Shaft configuration T-1 or L-1

*KGZ straight-toothed gearboxes are especially suitable for manual operation or infrequent motorised operation. Running noise is higher in comparison with KSZ spiral-toothed bevel gearboxes. KGZ has the same dimensions as KSZ.