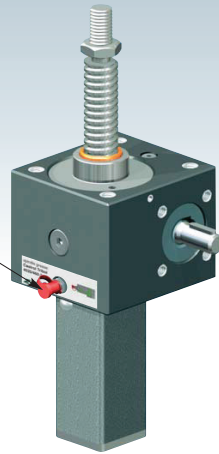
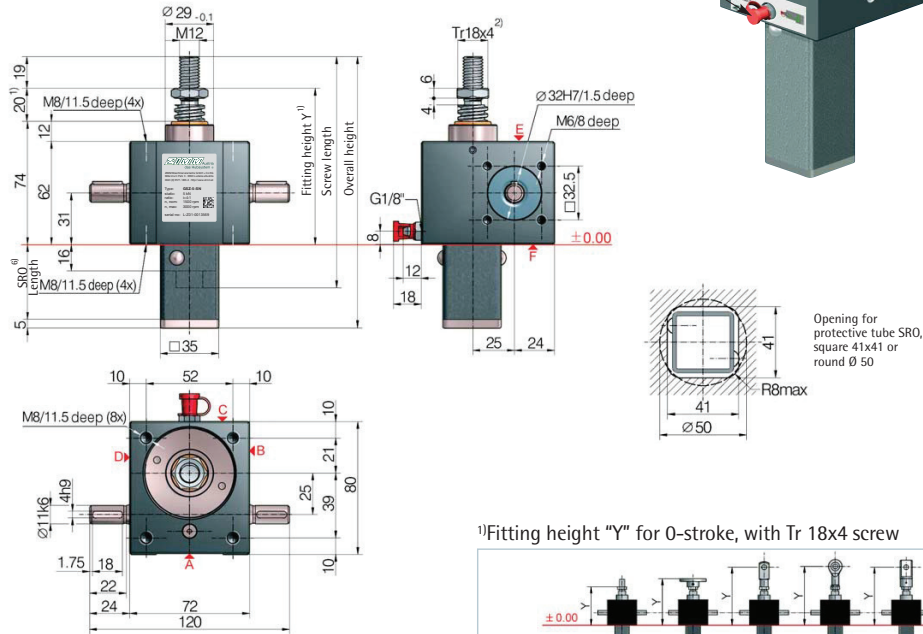




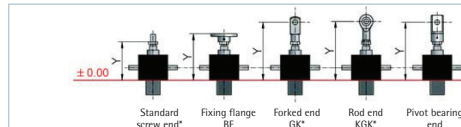
UNIQUE:
Screw lubrication
during operation



GSZ-5-S translating screw 5 kN



1) Fitting height "Y" for 0-stroke, with Tr 18x4 screw



All dimensions in mm

Bel lows FB	Y	Y	Y	Y	Y
without bellows FB	94	114	142	144	142
Z-5-FB-265	127	127	175	177	155
Z-5-FB-500	192	192	240	242	220
Z-5-FB-800	212	212	260	262	240

6) Protective tube length SRO with Tr 18x4 screw

Without escape/rotation protection	Escape/rotation protection	Rotation protection with limit switch set ES	Rotation protection with ES and KAR*
46+stroke	61+stroke	119+stroke	140+stroke

*Hinged bearing plate KAR, fitted on face F (below).

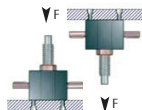
*with bellows fixing ring Z-5-FBR

Standard ratios

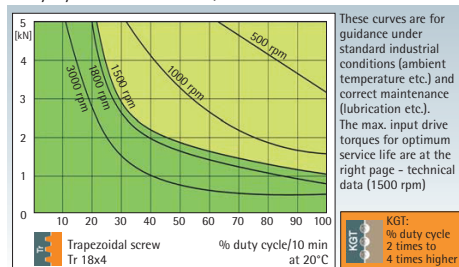
Type	Version	Speed	Standard screw ²⁾	i	Stroke per drive shaft rotation ³⁾
GSZ-5-SN	Translating	Normal	Tr 18x4	4:1	1.00 mm
GSZ-5-SL	screw	Low speed		16:1	0.25 mm
GSZ-5-RN	Rotating	Normal	Tr 18x4	4:1	1.00 mm
GSZ-5-RL	screw	Low speed		16:1	0.25 mm

Screw jack mounting

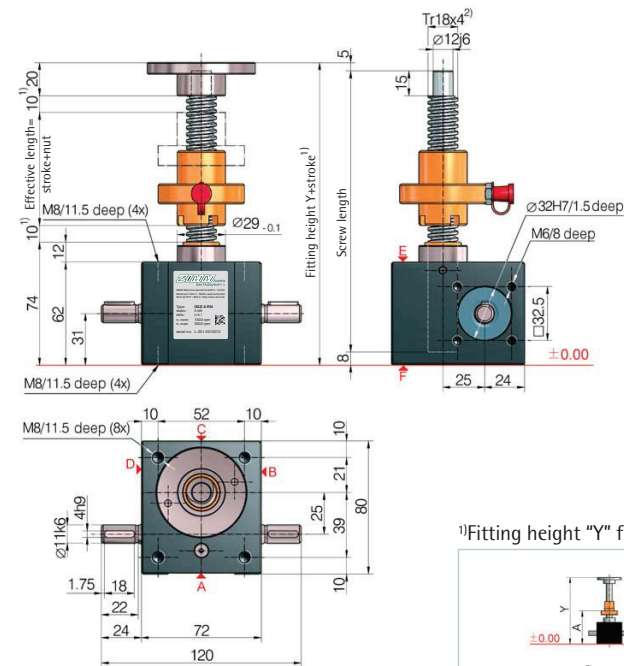
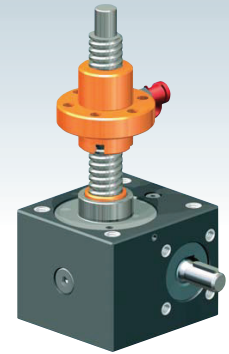
max. load: 5 kN compressive and tensile load
Screw: M8, strength class 8.8
Screw-in depth: 10 to 11.5 mm
Tightening torque: 19 Nm
Screw locking: with Loctite 243



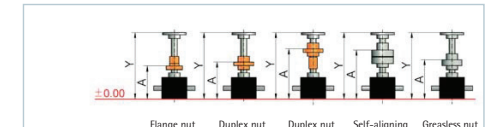
Duty cycle thermal limit, for S+R



GSZ-5-R rotating screw 5 kN



1) Fitting height "Y" for 0-stroke, with Tr 18x4 screw



All dimensions in mm

Bel lows FB	Flange nut FM	Duplex nut DM	Duplex nut DM with SIFA	Self-aligning nut PM	Greasless nut FDM
without bellows FB	Y/A	Y/A	Y/A	Y/A	Y/A
2x Z-5-FB-265	149/96	159/109	184/134	192/141	167/117
Z-5-FB-500	-	207/132	229/154	240/164	215/140
Z-5-FB-800	-	337/197	359/219	370/229	345/205
Z-5-FB-800	-	377/217	399/239	410/249	385/225

Detailed instructions for determining the length can be found in Section 8

5 kN

Technical data series GSZ-5-S / GSZ-5-R

max. compressive/tensile force, static: - 5 kN (500 kg)
max. compressive/tensile force, dynamic: - see duty cycle curves
Nominal speed: - 1500 rpm
max. drive shaft speed: - 3000 rpm (depending on the load and duty cycle)
Screw size standard: - Tr 18x4²⁾
Gear ratio: - 4:1 (N) / 16:1 (L)
Housing material: - aluminium, corrosion-resistant
Worm shaft: - steel, case-hardened, ground
Weight of screw jack body: - 1.2 kg
Weight of screw/m: - 1.58 kg
Gearbox lubrication: - synthetic fluid grease
Screw lubrication: - grease lubrication
Gearbox operating temperature: - max. 60°C, higher on request
Moment of inertia: - N: 0.217 kg cm² / L: 0.117 kg cm²
Input torque (at 1500 rpm): - max. 4.7 Nm (N) / max. 1.5 Nm (L)
Drive-through torque: - max. 39 Nm

Drive torque M₀ (Nm): - F (kN) x 0.62³⁾ + M₀ (N-normal)
- F (kN) x 0.21³⁾ + M₀ (L-low speed)
Breakaway torque: - Drive torque M₀ x 1.5
Idling torque⁴⁾ M₀ (Nm): - 0.10 (N-normal) / 0.08 (L-low speed)
Between gearbox and nut or nut and end of thread, provide for a safety distance of (minimum) 10 mm!
See Section 7 for the checklist.
Important information
1) - extension if a bellows or spiral spring is fitted: see the table or Section 8
2) - Tr 18x4 is standard, also available: double-pitch, stainless steel, left-handed, increased screw Tr 20x4 (only for the R version)
3) - factor includes efficiency, ratio and 30% safety
4) - at 20°C, can be higher when new
5) - for a 4 mm screw pitch