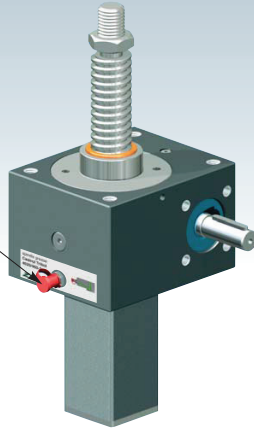
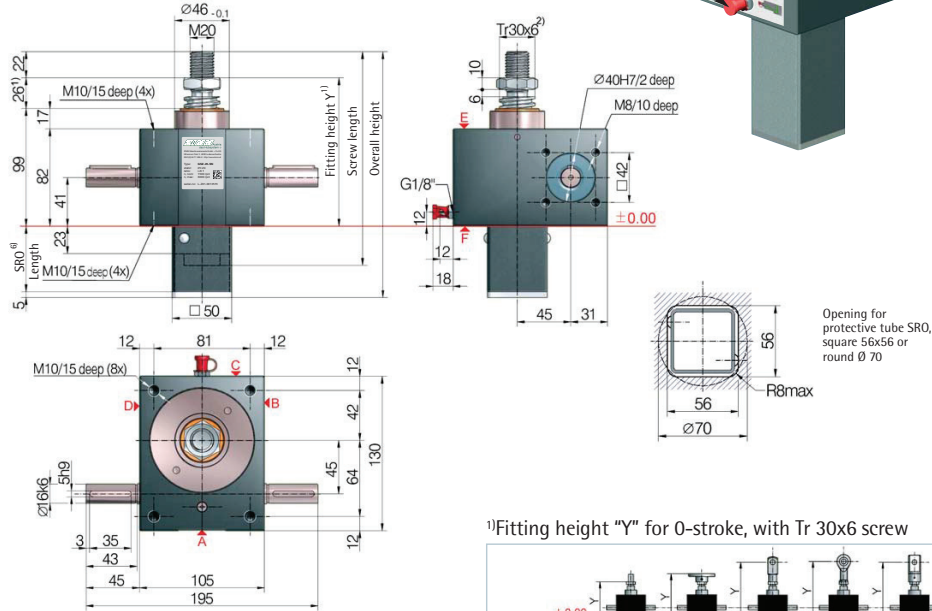




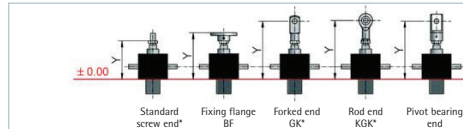
UNIQUE:
Screw lubrication
during operation



GSZ-25-S translating screw 25 kN



¹⁾Fitting height "Y" for 0-stroke, with Tr 30x6 screw



All dimensions in mm

Bel lows FB	Y	Y	Y	Y	Y
without bellows FB	125	148	205	202	205
Z-25-FB-300	200	192	280	277	249
Z-25-FB-700	230	222	310	307	279
Z-25-FB-1000	250	242	330	327	299

*with bellows fixing ring Z-25-FBR

⁶⁾Protective tube length SRO with Tr 30x6 screw

Without escape/ rotation protection	Escape/ rotation protection	Rotation protection, with limit switch set ES	Rotation protection with ES and KAR*
53+stroke	73+stroke	125+stroke	149+stroke

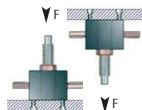
*Hinged bearing plate KAR, fitted on face F (below).

Standard ratios

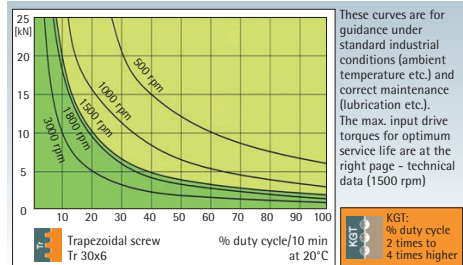
Type	Version	Speed	Standard screw ²⁾	i	Stroke per drive shaft rotation ³⁾
GSZ-25-SN	Translating	Normal	Tr 30x6	6:1	1.00 mm
GSZ-25-SL	screw	Low speed		24:1	0.25 mm
GSZ-25-RN	Rotating	Normal	Tr 30x6	6:1	1.00 mm
GSZ-25-RL	screw	Low speed		24:1	0.25 mm

Screw jack mounting

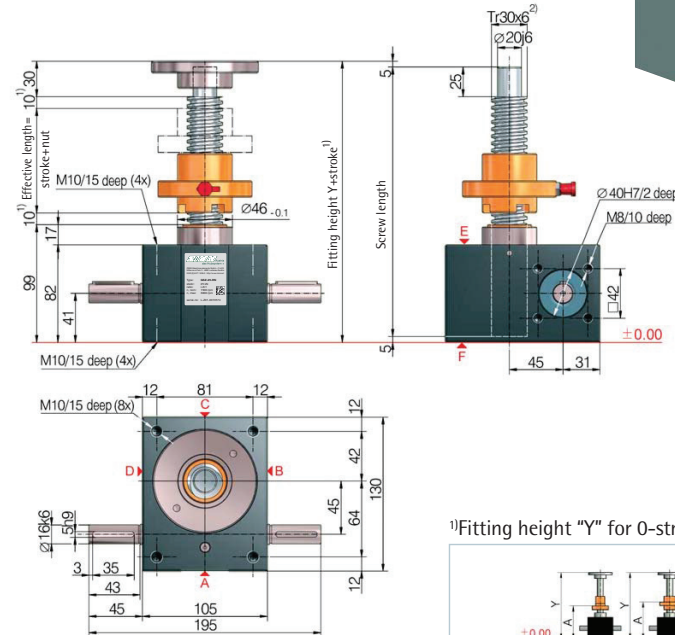
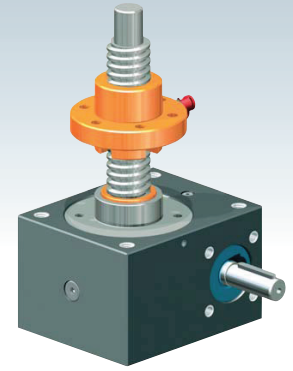
max. load: 25 kN compressive and tensile load
Screw: M10, strength class 8.8
Screw-in depth: 12 to 15 mm
Tightening torque: 27 Nm
Screw locking: with Loctite 243



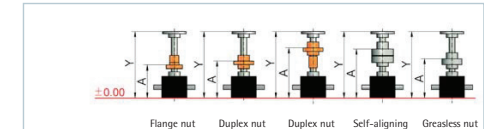
Duty cycle thermal limit, for S+R



GSZ-25-R rotating screw 25 kN



¹⁾Fitting height "Y" for 0-stroke, with Tr 30x6 screw



All dimensions in mm

Bel lows FB	Y/A	Y/A	Y/A	Y/A	Y/A
without bellows FB	195/123	199/136	244/181	244/177	208/145
2x Z-25-FB-300	-	314/196	353/235	359/237	325/207
2x Z-25-FB-700	-	374/226	413/265	419/267	385/237
2x Z-25-FB-1000	-	414/246	453/285	459/287	425/257

Detailed instructions for determining the length can be found in Section 8

25 kN

Technical data series GSZ-25-S / GSZ-25-R

max. compressive/tensile force, static - 25 kN (2.5 t)
max. compressive/tensile force, dynamic - see duty cycle curves
Nominal speed - 1500 rpm
max. drive shaft speed - 3000 rpm (depending on the load and duty cycle)
Screw size standard - Tr 30x6³⁾
Gear ratio - 6:1 (N) / 24:1 (L)
Housing material - aluminium, corrosion-resistant
Worm shaft - steel, case-hardened, ground
Weight of screw jack body - 3.8 kg
Weight of screw/m - 4.5 kg
Gearbox lubrication - synthetic fluid grease
Screw lubrication - grease lubrication
Gearbox operating temperature - max. 60°C, higher on request
Moment of inertia - N: 1.449 kg cm² / L: 0.589 kg cm²
Input torque (at 1500 rpm) - max. 18 Nm (N) / max. 10 Nm (L)
Drive-through torque - max. 108 Nm

Drive torque M_0 (Nm) - F (kN) x 0.63³⁾ (N-normal)
- F (kN) x 0.20³⁾ (L-low speed)
Breakaway torque - Drive torque M_0 x 1.5
Idling torque⁴⁾ M_0 (Nm) - 0.36 (N-normal) / 0.26 (L-low speed)
Between gearbox and nut or nut and end of thread, provide for a safety distance of (minimum) 10 mm!
See Section 7 for the checklist.
Important information
1) - extension if a bellows or spiral spring is fitted: see the table or Section 8
2) - Tr 30x6 is standard, also available: double-pitch, stainless steel, left-handed, increased screw Tr 40x7 (only for the R version)
3) - factor includes efficiency, ratio and 30% safety
4) - at 20°C, can be higher when new
5) - for a 6 mm screw pitch