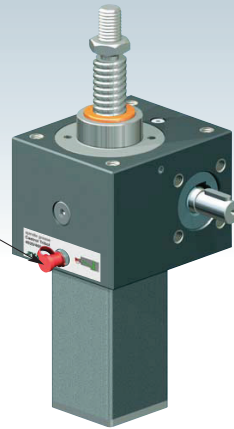
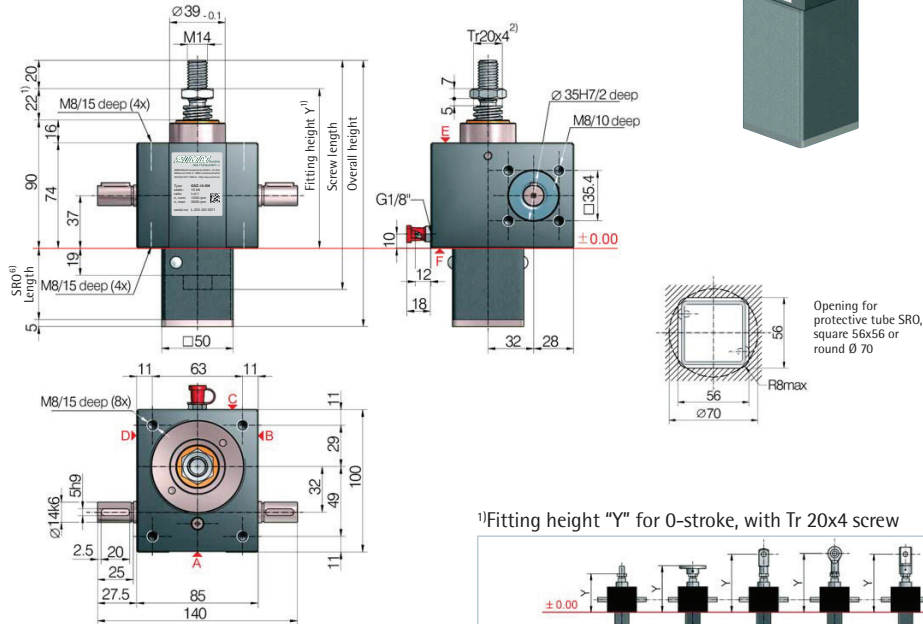




UNIQUE:
Screw lubrication
during operation



GSZ-10-S translating screw 10 kN

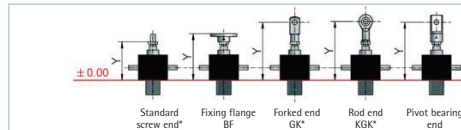


6) Protective tube length SRO with Tr 20x4 screw

| | Without escape/rotation protection | Escape/rotation protection | Rotation protection with limit switch set ES | Rotation protection with ES and KAR* |
|-----------|------------------------------------|----------------------------|--|--------------------------------------|
| 49+stroke | | 69+stroke | 121+stroke | 141+stroke |

*Hinged bearing plate KAR, fitted on face F (below).

1) Fitting height "Y" for 0-stroke, with Tr 20x4 screw



All dimensions in mm

| Bel lows FB | Y | Y | Y | Y | Y |
|--------------------|-----|-----|-----|-----|-----|
| without bellows FB | 112 | 133 | 168 | 173 | 168 |
| Z-10-FB-340 | 193 | 189 | 249 | 254 | 224 |
| Z-10-FB-700 | 213 | 209 | 269 | 274 | 244 |
| Z-10-FB-1000 | 263 | 259 | 319 | 324 | 294 |

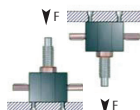
*with bellows fixing ring Z-10-FBR

Standard ratios

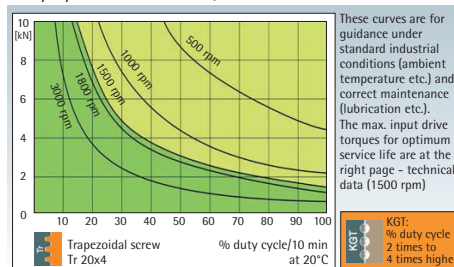
| Type | Version | Speed | Standard screw ²⁾ | i | Stroke per drive shaft rotation ³⁾ |
|-----------|-------------|-----------|------------------------------|------|---|
| GSZ-10-SN | Translating | Normal | Tr 20x4 | 4:1 | 1.00 mm |
| GSZ-10-SL | screw | Low speed | | 16:1 | 0.25 mm |
| GSZ-10-RN | Rotating | Normal | Tr 20x4 | 4:1 | 1.00 mm |
| GSZ-10-RL | screw | Low speed | | 16:1 | 0.25 mm |

Screw jack mounting

max. load: 10 kN compressive and tensile load
Screw: M8, strength class 8.8
Screw-in depth: 10 to 15 mm
Tightening torque: 17 Nm
Screw locking: with Loctite 243



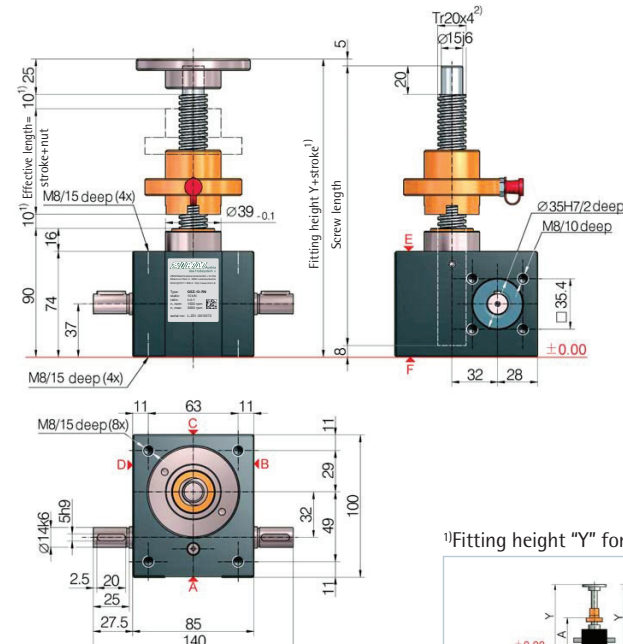
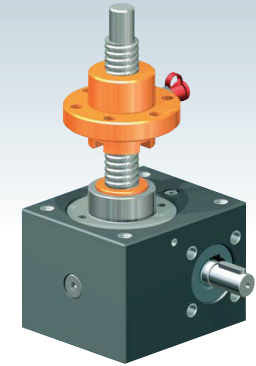
Duty cycle thermal limit, for S+R



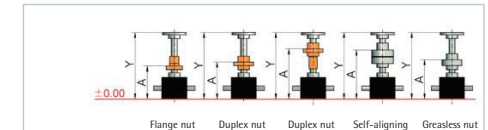
These curves are for guidance under standard industrial conditions (ambient temperature etc.) and correct maintenance (lubrication etc.). The max. input drive torques for optimum service life are at the right page - technical data (1500 rpm)



GSZ-10-R rotating screw 10 kN



1) Fitting height "Y" for 0-stroke, with Tr 20x4 screw



All dimensions in mm

| Bel lows FB | Y/A | Y/A | Y/A | Y/A | Y/A |
|--------------------|---------|---------|---------|---------|---------|
| without bellows FB | 179/112 | 180/125 | 219/164 | 218/159 | 188/133 |
| 2x Z-10-FB-340 | - | 314/193 | 350/229 | 352/227 | 322/201 |
| 2x Z-10-FB-700 | - | 354/213 | 390/249 | 392/247 | 362/221 |
| 2x Z-10-FB-1000 | - | 454/263 | 490/299 | 492/297 | 462/271 |

Detailed instructions for determining the length can be found in Section 8

10 kN

Technical data series GSZ-10-S / GSZ-10-R

max. compressive/tensile force, static - 10 kN (1 t)
max. compressive/tensile force, dynamic - see duty cycle curves
Nominal speed - 1500 rpm
max. drive shaft speed - 3000 rpm (depending on the load and duty cycle)
Screw size standard - Tr 20x4²⁾
Gear ratio - 4:1 (N) / 16:1 (L)
Housing material - aluminium, corrosion-resistant
Worm shaft - steel, case-hardened, ground
Weight of screw jack body - 2.1 kg
Weight of screw/m - 2 kg
Gearbox lubrication - synthetic fluid grease
Screw lubrication - grease lubrication
Gearbox operating temperature - max. 60°C, higher on request
Moment of inertia - N: 0.641 kg cm² / L: 0.271 kg cm²
Input torque (at 1500 rpm) - max. 13.5 Nm (N) / max. 7.5 Nm (L)
Drive-through torque - max. 57 Nm

Drive torque M₀ (Nm) - F (kN) x 0.64³⁾ + M₀ (N-normal)
- F (kN) x 0.20³⁾ + M₀ (L-low speed)
Breakaway torque - Drive torque M₀ x 1.5
Idling torque⁴⁾ M₀ (Nm) - 0.26 (N-normal) / 0.16 (L-low speed)
Between gearbox and nut or nut and end of thread, provide for a safety distance of (minimum) 10 mm!
See Section 7 for the checklist.
Important information
1) - extension if a bellows or spiral spring is fitted: see the table or Section 8
2) - Tr 20x4 is standard, also available: double-pitch, stainless steel, left-handed, increased screw Tr 30x6 (only for the R version)
3) - factor includes efficiency, ratio and 30% safety
4) - at 20°C, can be higher when new
5) - for a 4 mm screw pitch