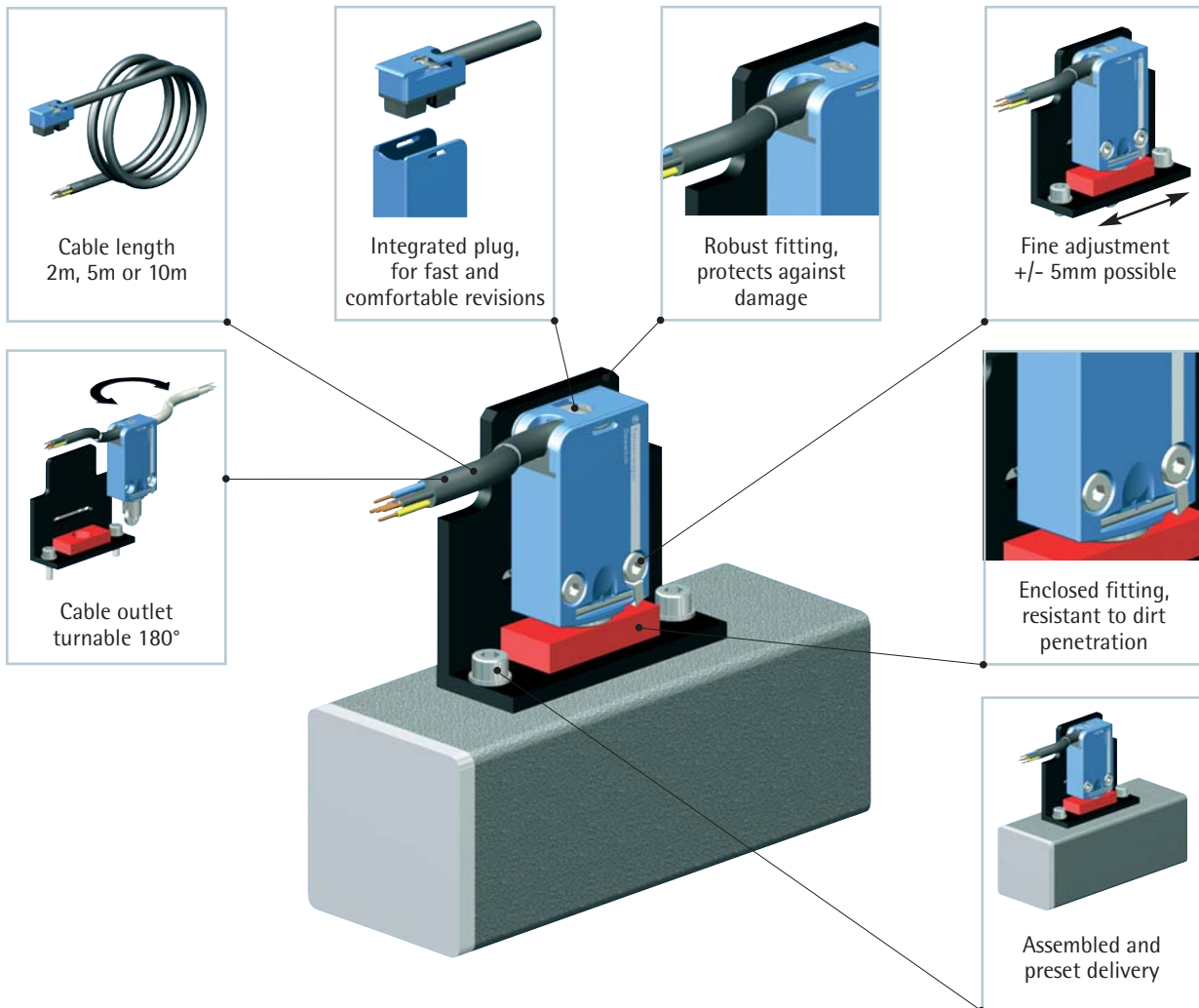
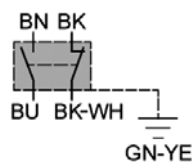
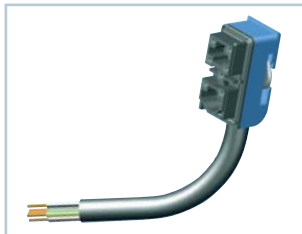


Limit switch set

Product features



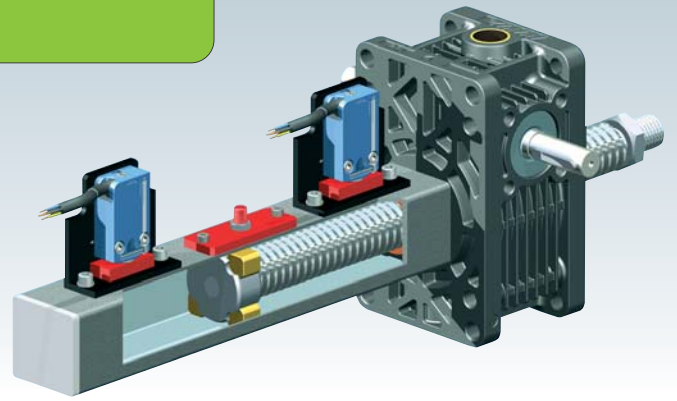
Technical data



Type:	mechanical limit switch with positively-actuated NC relay
Material:	metal housing and roller plunger
Mode of operation:	1NC + 1NO, snap action contacts
Protection class:	IP67
Temperature range:	-40°C to +70°C
Cable standard – material:	PvR black Ø 7.3mm, 5 x 0.75mm ²
Cable standard – temperature:	-25°C to +70°C
Cable special – temperature:	-40°C to +105°C (only request available)
Electrical duty:	max. 240V AC / 1.5A max. 250V DC / 0.1A
Electrical service life:	5 million DC switching operations at 24V DC/3W 1 million AC switching operations at 230V AC/0.5A
Weight:	Limit switch set: 0.15 kg; Cable (5m): 0.45 kg

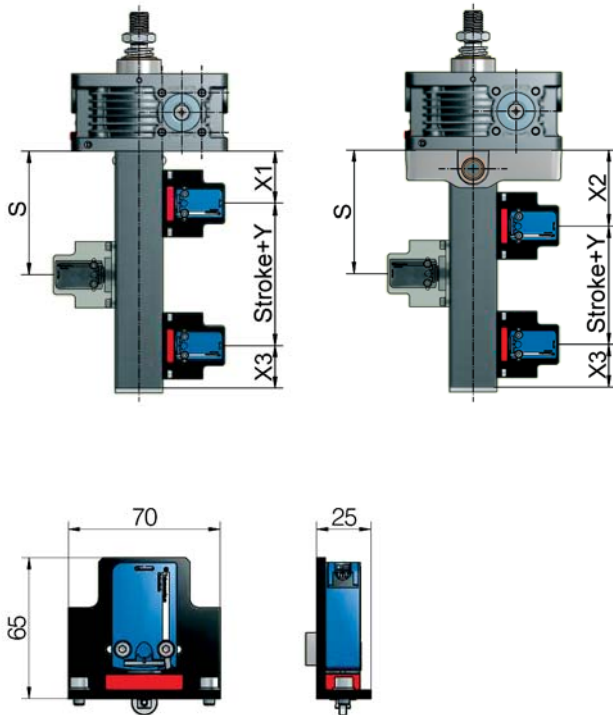
⚡ NC	— BK	black
	— BK-WH	black-white
⚡ NO	— BU	blue
	— BN	brown
⚡ Protective earth conductor	— GN-YE	green-yellow





Limit switch set

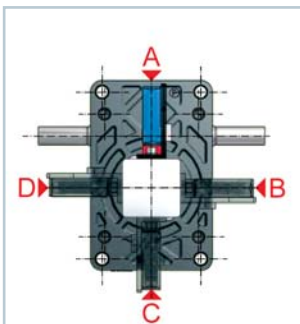
Dimensions



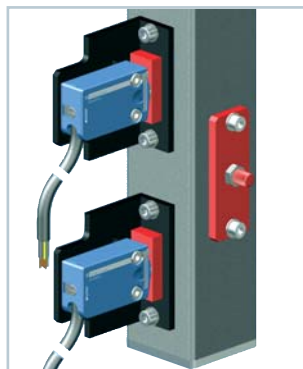
Size	Screw	X1	X2	X3	Y
GSZ-2	Tr 16x4	48	70	48	21
Z-5	Tr 18x4	49	70	45	25
	KGT 16x05, x10	49	70	45	25
Z-10	Tr 20x4	52	72	45	24
	KGT 25x05, x10	52	72	45	24
	KGT 25x25	77	77	68	24
Z-25	KGT 25x50	142	142	133	24
	Tr 30x6	56	80	45	24
Z-35	KGT 32x05, x10, x20	56	80	45	24
	KGT 32x40	91	91	78	24
	Tr 40x7	64	90	45	34
Z-50	Tr 40x7	65	90	45	34
	KGT 40x5, x10, x20	65	90	45	34
	KGT 40x40	90	90	68	34
Z-50/Tr50	Tr 50x8	65	90	45	34
	Tr 55x9	65	110	45	34
Z-100	KGT 50x10	65	110	45	34
	KGT 50x20	70	110	48	34
	KGT 50x40	110	110	88	34
Z-150	Tr 60x9	70	120	45	34
	KGT 63x10	70	120	45	34
	KGT 63x20	75	120	48	34
	KGT 63x40	115	120	88	34
	KGT 63x60	155	155	128	34
Z-250	Tr 80x16	75	-	45	30
	KGT 80x10	75	-	45	30
	KGT 80x20	82	-	50	30
	KGT 80x40	122	-	90	30
	KGT 80x60	162	-	130	30
Z-350	Tr 100x16	85	-	50	31
Z-500	Tr 120x16	102	-	55	40
Z-750	Tr 140x20	110	-	55	40
Z-1000	Tr 160x20	110	-	55	40

Limit switch position

Ordering code



(only A and C permissible for GSZ-2)



Ordering example:
1 off Z-25-ES-5-G-A
1 off Z-25-ES-5-E-A



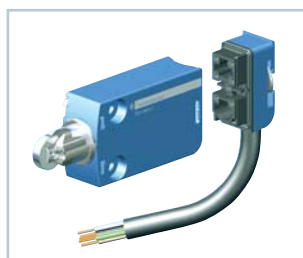
Ordering code for limit switch set:

Ordering code: **Z-25-ES-5-G-A**

Gearbox size: Z-25
Cable length: ES-5
Installation: G = gearbox face (standard)
E = end of the protective tube (standard)
S = special position, S = ?? mm
V = set pre-assembled
Limit switch position: A (standard), B, C or D



Datasheet with all technical details on request.



Ordering code for an single switch:

Ordering code: **Z-25-ES-5**

Cable length: Z-25-ES-5
2m, 5m or 10m, 0 = without cable