



Lubrication - screw



Lubricants

Always use the correct lubricants for a long service life!

These lubricants have been carefully selected to suit the screw jack requirements.

Caution should be exercised in using other greases! A "good" grease may not always be the "right" grease.

Trapezoidal screw

Inspect the trapezoidal screw regularly and regrease it depending on the operating cycle. Use the grease that we recommend. These greases are ideally matched to the operating requirements of our screw jack systems.



Standard grease:

Castrol Tribol GR 4020/460-2 PD (up to size 150)
Castrol Tribol GR 3020/1000-2 PD (from size 250)

As well as the standard greases we also offer greases for special applications:

- High temperature/high duty cycle
- Low temperature
- Heavy duty
- Food industry
- Clean room
- Vacuum, etc.

Most greases are available ex stock. The exact application and the load cycles are important when making the selection. The best strategy is to send us the completed enquiry checklist (Section 7).

The important question is whether it matches the respective requirements.

Ball screw KGT

Lubricate the ball screw KGT every 300 hours of effective operation. For heavy-duty systems every 100 hours.



Grease quantity:

Guidance value approx. 1 ml per cm screw diameter.

Standard grease:

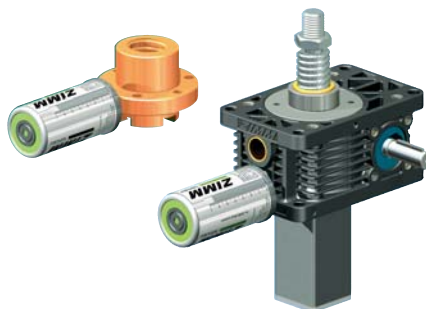
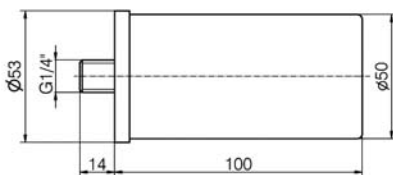
Castrol Tribol GR 4747/220-2 HT



Ordering example:

Castrol Tribol GR 4020/460-2 PD,
Cartridge 400g

Automatic lubricator Z-LUB



The ZIMM lubricator Z-LUB continuously supplies the screw with lubricant. The Z-LUB is activated when the run-time is set (1 to 12 months at 20°C) (gas generation cell). The filling level can be viewed all the time in the transparent housing. Suitable for ball screws under certain conditions.

Metering time:	1 to 12 months, infinitely adjustable
Volume:	125 ml
Operating temperature:	+5°C to +55°C (standard grease, mineral-based) for synthetic greases down to -20°C
Thread:	G1/4"
Greases:	ZIMM screw greases



Ordering example:

Z-LUB, ZIMM lubricator
Filling: Castrol Tribol GR 4020/460-2 PD



Ordering example:

Reducer to G 1/8":
Part no. MSZ-SG-RS1



Infinitely adjustable from 1 to 12 months metering time

