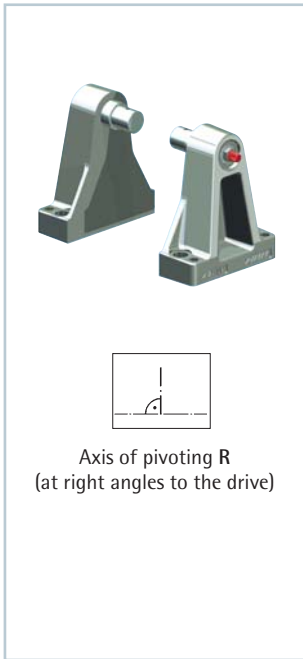
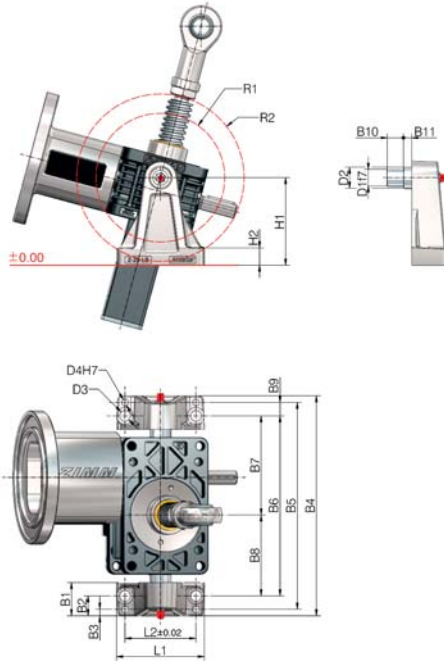


Pivoting – Z-5 to Z-25



Pivot mounts LB



Dimensions	B1	B2	B3	B4	B5	B6	B7	B8	B9	B10	B11
Z-5 (Z-5/10-LB)	40	25	10	200	180	150	84	66	15	15	6
Z-10 (Z-5/10-LB)	40	25	10	220	200	170	95	75	15	15	6
Z-25 (Z-25-LB)	40	24	08	264	248	216	119	97	16	20	10

Dimensions	D1	D2	D3	D4	H1	H2	L1	L2	R1	R2	kg (set)
Z-5 (Z-5/10-LB)	16	22	11	8	80	18	90	70	57	63	0.72
Z-10 (Z-5/10-LB)	16	22	11	8	80	18	90	70	68	74	0.72
Z-25 (Z-25-LB)	20	25	13	8	105	21	105	85	78	100	1.30

Integrated pivot bearing

Simple and economical design:
Pivot bushes are incorporated in the gearbox housing.

Lubrication

The bronze bushes are PTFE-coated and therefore require no lubrication in normal service. We recommend regular lubrication for high loadings.

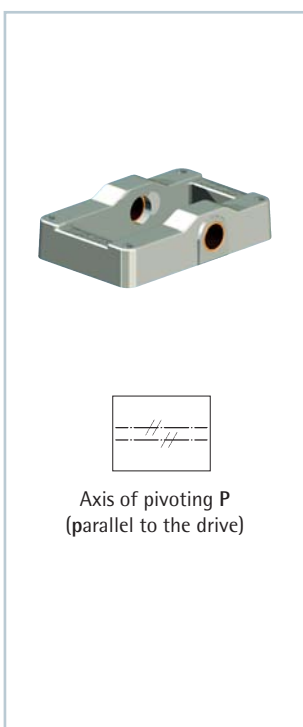
Design tip

For large motors, long strokes and high load cycles, the variant with the pivot bearing plate KAR is preferable, because the weight of the motor is then taken by the pivoting points and does not affect the screw.

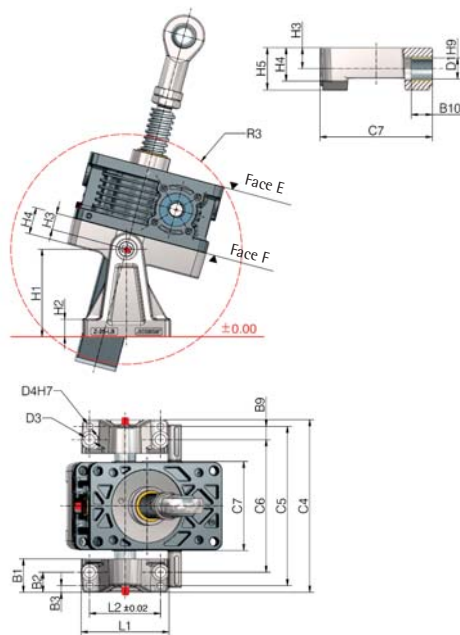
i **F** Refer to the permissible loads listed in Section 8

Material: Aluminium, corrosion-resistant
Bolt: Stainless steel

Part no.:
Z-5/10-LB set (2 items)
Z-25-LB set (2 items)



Pivot bearing plate KAR



Dimensions	B1	B2	B3	B9	B10	C4	C5	C6	C7	D1	D3
Z-5-KAR	40	25	10	15	15	166	146	116	74	16	11
Z-10-KAR	40	25	10	15	15	179	159	129	87	16	11
Z-25-KAR	40	24	08	16	20	207	191	159	107	20	13

Dimensions	D4	H1	H2	H3	H4	H5	L1	L2	R3	kg
Z-5-KAR	8	80	18	15	21	30	90	70	100	0.24
Z-10-KAR	8	80	18	15	24	30	90	70	116	0.33
Z-25-KAR	8	105	21	20	32	40	105	85	138	0.80

Multi-jack systems

The KAR pivot bearing plate allows several jacks to be arranged in a row.

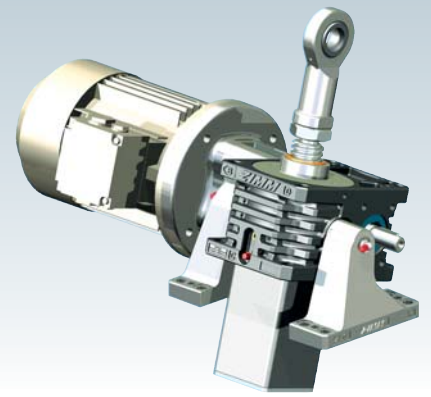
Lubrication

The bronze bushes are PTFE-coated and therefore require no lubrication in normal service. We recommend regular lubrication for high loadings.

Part no.:
Z-5-KAR
Z-10-KAR
Z-25-KAR

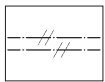
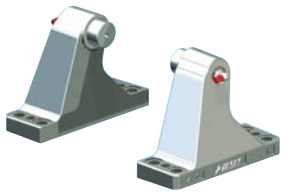
Please specify: mounted on face E or face F

Example: 2-jack system

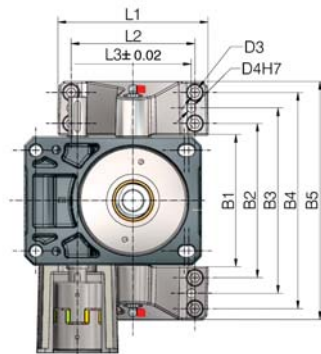
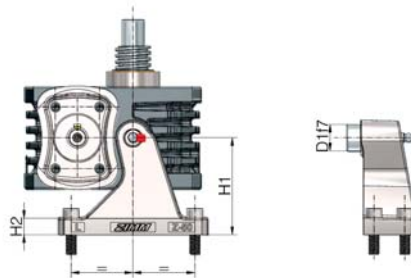


Pivoting – Z-35 to Z-1000

Pivot mounts LB



Axis of pivoting P
(parallel to the drive)



Material: Cast steel, quenched and tempered, corrosion-resistant

From Z-500 the gearbox is mounted the opposite way round, since the footplate is broader than the rest of the housing:



Dimensions	D1	D3	D4	H1	H2	L1	L2
Z-35-LB	28	11	8	85	18	130	106
Z-50-LB	30	13	10	110	18	170	140
Z-100-LB	40	22	20	120	22	260	180
Z-150-LB	50	22	20	135	24	280	200
Z-250-LB	60	26	20	170	32	285	230
Z-350-LB	80	33	25	210	36	380	310

Dimensions	L3	B1	B2	B3	B4	B5	kg (set)
Z-35-LB	106	124	146	174	202	224	3.2
Z-50-LB	140	150	175	210	245	270	5.0
Z-100-LB	225	210	250	290	330	370	11.8
Z-150-LB	235	222	262	312	362	402	18.0
Z-250-LB	220	265	325	400	475	535	31
Z-350-LB	300	302	372	462	552	622	66

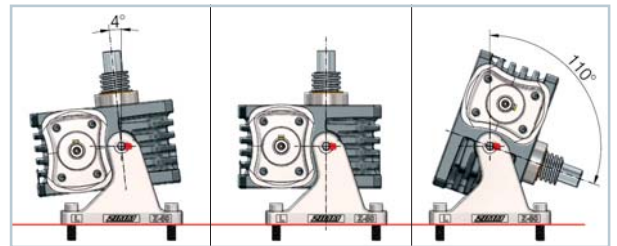
Integrated pivot bearing

Simple and economical design:

Pivot bushes are incorporated in the gearbox housing.

Lubrication

The bronze bushes are PTFE-coated and therefore require no lubrication in normal service. We recommend regular lubrication for high loadings.



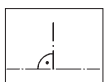
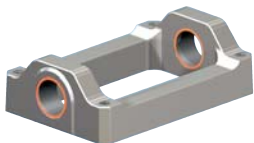
Part no.:

Z-50-LB set
(1x right-handed, 1x left-handed)

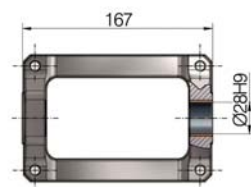


Refer to the permissible loads listed in Section 8

Pivot bearing plate Z-35-KAR



Axis of pivoting R
(at right angles to the drive)



Material: GGG-50

Pivot bearing plate from Z-35

The use of the pivot mounts LB directly within the gearbox housing is the best and most economical solution. Design considerations may in some cases necessitate the use of a pivot bearing plate.

Other sizes of pivot arrangements "R" and "P" are available on request.



Part no.:

Z-35-KAR