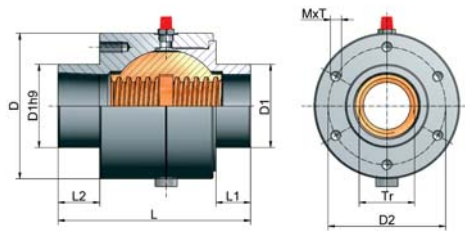


Nuts for rotating version R



Self-aligning nut Z-...-PM



Advantage

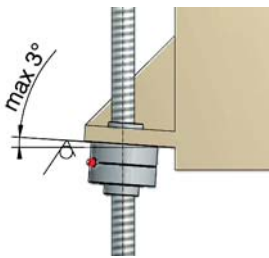
- Angular compensation up to $\pm 3^\circ$
- Grease nipple or connection thread to central lubrication
- Bellows can be connected

Application:

(Welded) fabrications often exhibit angular errors, which lead to rapid wear of the trapezoidal screw nuts. The self-aligning nut PM can compensate small angular errors on the attachment face up to maximum $\pm 3^\circ$. A large grease reservoir increases the maintenance intervals and extends the service life.

CAUTION:

Self-aligning nuts cannot compensate parallelism errors between screws or between screws and guides. Take care to ensure precise alignment. The attachment faces for the gearboxes must therefore be exactly at right angles to the guides.



Part no.	Thread Tr d x P	D	D1	D2
Z-5-PM ¹⁾	Tr 18x4	52	29	40
Z-10-PM ¹⁾	Tr 20x4	74	39	60
Z-25-PM ¹⁾	Tr 30x6	88	46	70
Z-35/50-PM ¹⁾	Tr 40x7	105	60	85
Z-100-PM	Tr 55x9	148	85	120
Z-150-PM	Tr 60x9	165	90	125
Z-250-PM	Tr 80x16	225	120	170
Z-350-PM	Tr 100x16	280	145	215

Part no.	M x T	L	L1	L2	LS ²⁾	kg
Z-5-PM ¹⁾	M5x12	78	13	21	123	0.66
Z-10-PM ¹⁾	M6x12	83	13	24	128	1.49
Z-25-PM ¹⁾	M6x12	95	13	27	158	2.36
Z-35/50-PM ¹⁾	M8x16	129	15	30	212	5.04
Z-100-PM	M10x20	190	15	45	298	15.1
Z-150-PM	M12x24	210	15	45	330	21.9
Z-250-PM	M16x32	224	20	40	369	47.0
Z-350-PM	M20x40	275	20	40	455	94

¹⁾Identical to the previous MSZ type

²⁾Overall length PM incl. SIFA safety nut

Trapezoidal screw

DIN 103, quality 7H, right-handed

Screwed grease nipple

Thread 1/8" / 1/4" from Tr 40x7

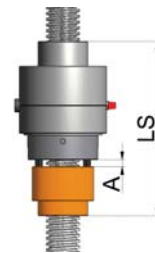
Material

Housing: GG 25 (grey cast iron)

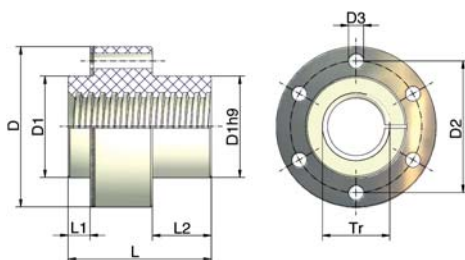
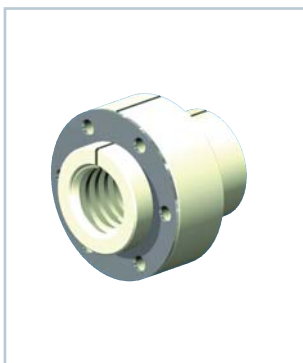
Spherical nut: Rg7 (bronze)

Safety nut SIFA

is available for the self-aligning nut on request.



Greaseless nut Z-...-FFDM



Part no.	Tr	D	D1 ³⁾	D2	D3	L	L1	L2	kN max. Load ²⁾	kg
Z-5-FFDM ¹⁾	Tr 18x4	52	29	40	6	53	11	20	1	0.07
Z-10-FFDM ¹⁾	Tr 20x4	68	39	54	7	53	11	20	2	0.12
Z-25-FFDM ¹⁾	Tr 30x6	79	46	61	7	59	11	23	5	0.18
Z-35/50-FFDM ¹⁾	Tr 40x7	95	60	78	9	85	13	35	7	0.38

Nut material: Plastic, high-performance polymer
Steel ring material: stainless steel

Quality: 7H DIN 103, right-handed

¹⁾Identical to the previous MSZ - FFDM type

²⁾As approximate value, depending on the stroke speed and ambient temperature

³⁾Connection bore for D1 +0.2 mm for thermal expansion