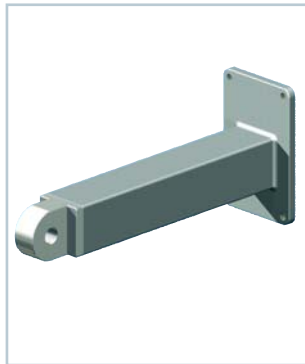
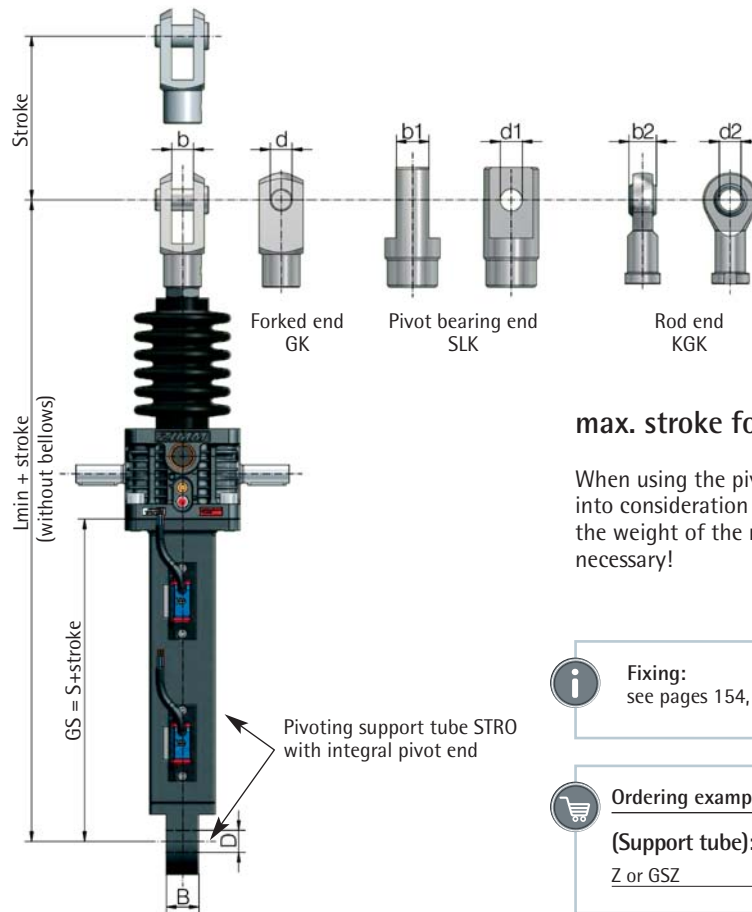
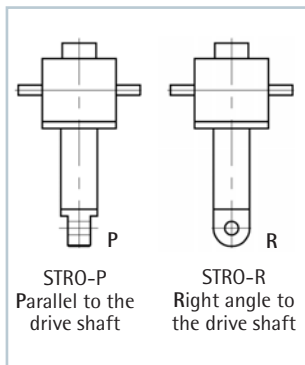


Pivoting support tube STRO



Axis of pivoting



max. stroke for this type: 500 mm!

When using the pivoting support tube, take into consideration the torques arising due to the weight of the motor etc. - support is necessary!



Fixing:
see pages 154, 159



Ordering example:
(Support tube): Z-25-STRO-P, GS=150mm
Z or GSZ

Size	Options	S	L min. GK	L min. SLK	L min. KGK	d	b	d1	b1	d2	b2	D	B
Z-5	Standard	82	224	224	226	12	12	12	18	12	10	12	20
	with AS/VS	97	239	239	241	12	12	12	18	12	10	12	20
	with ES	155	297	297	299	12	12	12	18	12	10	12	20
Z-10	Standard	94	262	262	267	14	14	14	24	15	12	20	30
	with AS/VS	114	282	282	287	14	14	14	24	15	12	20	30
	with ES	166	334	334	339	14	14	14	24	15	12	20	30
Z-25	Standard	98	303	303	300	20	20	20	30	20	16	20	30
	with AS/VS	118	323	323	320	20	20	20	30	20	16	20	30
	with ES	170	375	375	372	20	20	20	30	20	16	20	30
Z-35	Standard	117	390	362	380	30	30	30	35	30	22	30	35
	with AS/VS	147	420	392	410	30	30	30	35	30	22	30	35
	with ES	203	476	448	466	30	30	30	35	30	22	30	35
Z-50	Standard	137	426	398	416	30	30	30	35	30	22	40	50
	with AS/VS	167	456	428	446	30	30	30	35	30	22	40	50
	with ES	219	508	480	498	30	30	30	35	30	22	40	50
Z-50/Tr50	Standard	137	454	418	452	35	36	35	40	40	28	40	50
	with AS/VS	167	484	448	482	35	36	35	40	40	28	40	50
	with ES	219	536	500	534	35	36	35	40	40	28	40	50
Z-100	Standard	157	539	503	537	35	36	35	40	40	28	40	50
	with AS/VS	187	569	533	567	35	36	35	40	40	28	40	50
	with ES	219	601	565	599	35	36	35	40	40	28	40	50

For a bellows extension, see Section 8 - Length Calculation