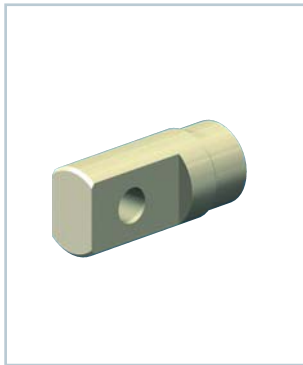
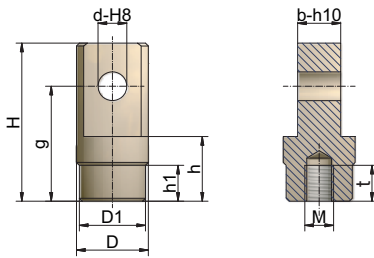


For the translating version S

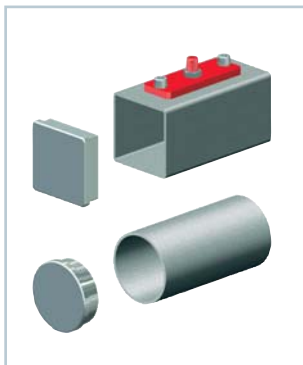


Pivot bearing end SLK

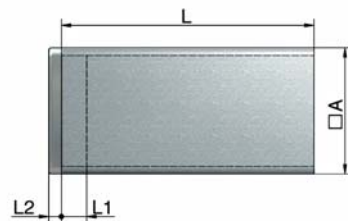


Part no.	H	D	D1	d	M	g	b	h	h1	t	kg
Z-5-SLK	65	30	29	12	M12	48	18	25	20	22	0.25
Z-10-SLK	80	40	39	14	M14	56	24	25	20	25	0.56
Z-25-SLK	110	50	46	20	M20	80	30	45	25	25	1.20
Z-35/50-SLK	130	65	60	30	M30	92	35	50	-	33	2.10
Z-100-SLK	144	90	85	35	M36	108	40	65	-	55	4.40
Z-150-SLK	210	100	90	50	M42x2	155	57	90	50	70	8.00
Z-250-SLK	260	125	120	80	M56x2	180	80	85	40	63	16.00
Z-350-SLK	280	145	145	95	M72x3	195	100	105	-	83	24.00
Z-500-SLK	335	170	170	110	M100x3	245	120	155	80	120	38.00
Z-750-SLK	380	225	200	120	M110x3	270	130	155	80	133	68.50

Material: steel, corrosion-resistant identical to the previous MSZ type



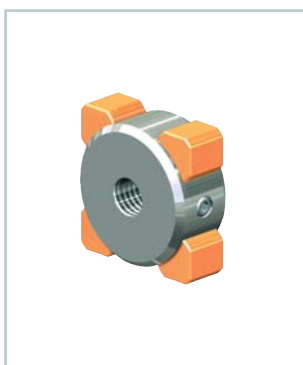
Protective tube SRO with cover



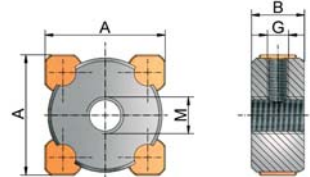
Material: Steel, powder-coated;
Aluminium, black anodised
(GSZ-2-SRO)

Cover: Aluminium, corrosion-resistant;
PE, black (GSZ-2)

Part no.	A	L1	L2	kg/m
GSZ-2-SRO	35x25	14	5	0.6
Z-5-SRO	35	10	5	2.1
Z-10-SRO	50	10	5	3.1
Z-25-SRO	50	10	5	3.1
Z-35-SRO	60	10	5	3.8
Z-50-SRO	90	10	5	8.2
Z-100-SRO	90	10	5	8.2
Z-150-SRO	120	10	5	11.5
Z-250-SRO	Ø125 / 120	10	5	7.6 / 11.5
Z-350-SRO	Ø150 / 160	15	5	19.0 / 19.3
Z-500-SRO	Ø180 / 180	15	5	22.0 / 27.0
Z-750-SRO	Ø210 / 200	15	5	26.0 / 30.0
Z-1000-SRO	Ø260 / 220	15	5	32.0 / 39.0



Rotation protection VS



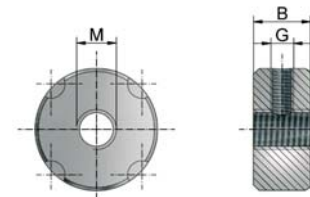
Material: *Steel, bronze
Rotation protection is required if the screw is not fixed to the load so that it cannot rotate, or is installed in combination with limit switches or the rod end KGK.

Part no.	A	B	G	M	kg
GSZ-2-VS*	31x21	15	Ø3	M10	0.01
Z-5-VS*	31	15	M6	M12	0.10
Z-10-VS	46	20	M8	M14	0.23
Z-25-VS	46	20	M8	M20	0.23
Z-35-VS	56	30	M8	M24	0.65
Z-50-VS	84	30	M10	M30	1.27
Z-100-VS	84	30	M10	M36	1.20
Z-150-VS	114	30	M12	M48x2	2.15
Z-250-VS	114	30	M12	M64x3	2.15
Z-350-VS	152	35	M16	M72x3	4.6
Z-500-VS	170	40	M16	M85x3	6.6
Z-750-VS	190	40	M16	M100x3	8.0
Z-1000-VS	208	40	M16	M100x3	10.2

*for Z-5 the rotation protection is of solid bronze; GSZ-2 POM



Escape protection AS



Material: Steel
Escape protection prevents the screw being wound out of the gearbox. It is particularly recommended for ball screws. Do not rely on it as an operating travel stop.

Part no.	B	G	M	kg
GSZ-2-AS	15	M5	M10	0.01
Z-5-AS	15	M6	M12	0.05
Z-10-AS	20	M8	M14	0.16
Z-25-AS	20	M8	M20	0.14
Z-35-AS	30	M8	M24	0.40
Z-50-AS	30	M10	M30	0.80
Z-100-AS	30	M10	M36	0.74
Z-150-AS	30	M12	M48x2	1.48
Z-250-AS	30	M12	M64x3	1.17
Z-350-AS	35	M16	M72x3	2.87
Z-500-AS	40	M16	M85x3	3.86
Z-750-AS	40	M16	M100x3	6.00
Z-1000-AS	40	M16	M100x3	9.60