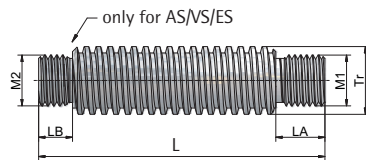


For the translating version S

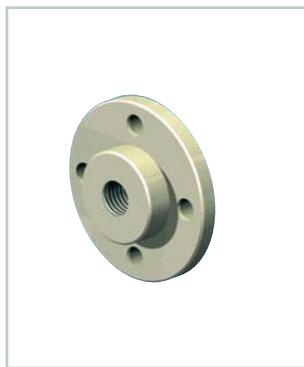


Trapezoidal screw Z-...-S-Tr

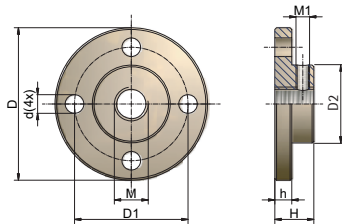


Material: St 60, C35, C45 (stainless steel), double-pitch, left-handed, on request, quality 7e DIN 103, pitch accuracy 0.2 mm/300 mm
Rolled as standard, from Tr 80 whirled

Part no.	Tr	M1	LA	M2	LB	kg/m
GSZ-2-S-Tr	Tr 16x4	M10	24	M10	15	1.2
Z-5-S-Tr	Tr 18x4	M12	29	M12	15	1.6
Z-10-S-Tr	Tr 20x4	M14	32	M14	20	2.0
Z-25-S-Tr	Tr 30x6	M20	38	M20	20	4.5
Z-35-S-Tr	Tr 40x7	M30	53	M24	30	8.0
Z-50-S-Tr	Tr 40x7	M30	53	M30	30	8.0
Z-50/Tr50-S-Tr	Tr 50x8	M36	76	M36	30	13
Z-100-S-Tr	Tr 55x9	M36	76	M36	30	16
Z-150-S-Tr	Tr 60x9	M42x2	48	M48x2	30	19
Z-250-S-Tr	Tr 80x16	M56x2	58	M64x3	30	32
Z-350-S-Tr	Tr 100x16	M72x3	78	M72x3	35	52
Z-500-S-Tr	Tr 120x16	M100x3	118	M85x3	40	77
Z-750-S-Tr	Tr 140x20	M110x3	130	M100x3	40	105
Z-1000-S-Tr	Tr 160x20	M110x3	130	M100x3	40	139

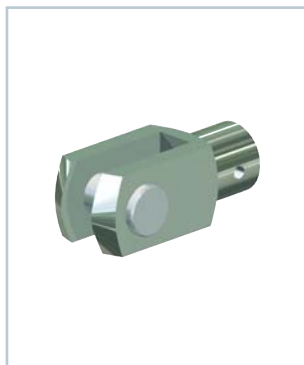


Fixing flange BF

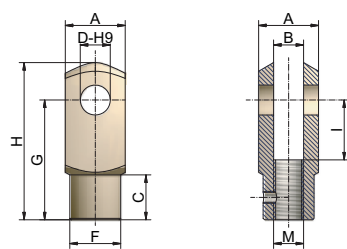


Part no.	D	D1	D2	M	d	h	H	M1	kg
GSZ-2-BF	50	40	26	M10	5.5	6	16	5	0.04
Z-5-BF	65	48	29	M12	9	7	20	5	0.21
Z-10-BF	80	60	38	M14	11	8	21	6	0.38
Z-25-BF	90	67	46	M20	11	10	23	8	0.57
Z-35/50-BF	110	85	60	M30	13	15	30	8	1.20
Z-100-BF	150	117	85	M36	17	20	50	10	3.50
Z-150-BF	170	130	90	M42x2	21	25	50	10	4.70
Z-250-BF	210	165	120	M56x2	26	30	60	12	9.50
Z-350-BF	260	205	145	M72x3	32	40	80	16	18.4
Z-500-BF	310	240	170	M100x3	38	40	120	16	30.0
Z-750-BF	340	265	200	M110x3	38	50	132	20	36.0

Material: steel, corrosion-resistant; aluminium, hard anodised (GSZ-2-BF) identical to the previous MSZ type



Forked end GK

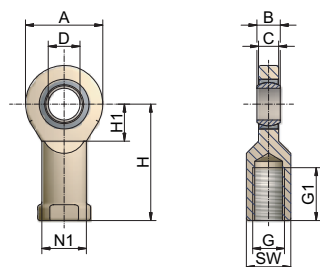


Part no.	A	B	C	D	M	F	G	H	I	kg
GSZ-2-GK	20	10	15	10	M10	18	40	52	20	0.10
Z-5-GK	24	12	18	12	M12	20	48	62	24	0.16
Z-10-GK	27	14	22	14	M14	24	56	72	28	0.24
Z-25-GK	40	20	30	20	M20	34	80	105	40	0.71
Z-35/50-GK	60	30	42	30	M30	52	120	160	60	2.48
Z-100-GK	70	36	54	35	M36	60	144	188	72	3.70
Z-150-GK	85	42	63	42	M42x2	70	168	232	84	5.30

Material: steel, galvanised (stainless steel on request) incl. bolt and cotter pin
identical to the previous MSZ type



Rod end KGK



Part no.	A	B	C	D	G	G1	H	H1	SW	N1	kg
GSZ-2-KGK	31	14	12	10	M10	19	43	15	16	15	0.11
Z-5-KGK*	34	10	8	12	M12	23	50	17.5	18	17	0.10
Z-10-KGK*	40	12	10	15	M14	30	61	20	21	20	0.16
Z-25-KGK*	53	16	13	20	M20	40	77	27.5	30	27.5	0.32
Z-35/50-KGK*	73	22	19	30	M30	56	110	37	41	40	1.00
Z-100-KGK	92	28	24	40	M36	65	142	46	60	52	1.90
Z-150-KGK*	112	35	31	50	M42x2	68	160	56	70	62	3.60
Z-250-KGK	160	49	43	70	M56x2	80	200	80	85	80	8.30

CAUTION: Use only with rotation protection
Material: steel/steel, galvanised; steel/PTFE for GSZ-2-KGK (stainless steel on request)
*identical to the previous MSZ type