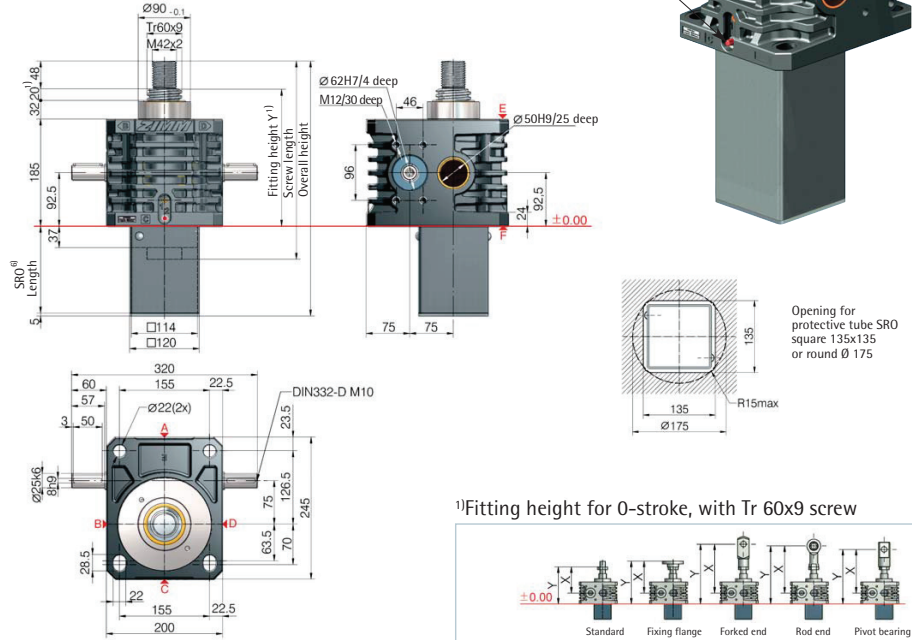




Z-150-S translating screw 150 kN



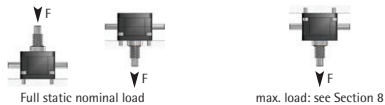
6) Protective tube length SRO with Tr 60x9 screw

Without escape/rotation protection	Escape/rotation protection	Rotation protection, with limit switch set ES
87+stroke	117+stroke	149+stroke

Standard ratios

Type	Version	Speed	Standard screw ²⁾	i	Stroke per drive shaft rotation ³⁾
Z-150-SN	Translating	Normal	Tr 60x9	9:1	1.00 mm
Z-150-SL	screw	Low speed		36:1	0.25 mm
Z-150-RN	Rotating	Normal	Tr 60x9	9:1	1.00 mm
Z-150-RL	screw	Low speed		36:1	0.25 mm

Screw jack mounting



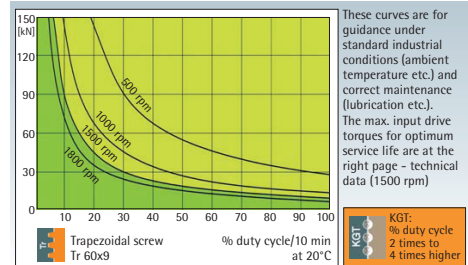
1) Fitting height for 0-stroke, with Tr 60x9 screw

All dimensions in mm

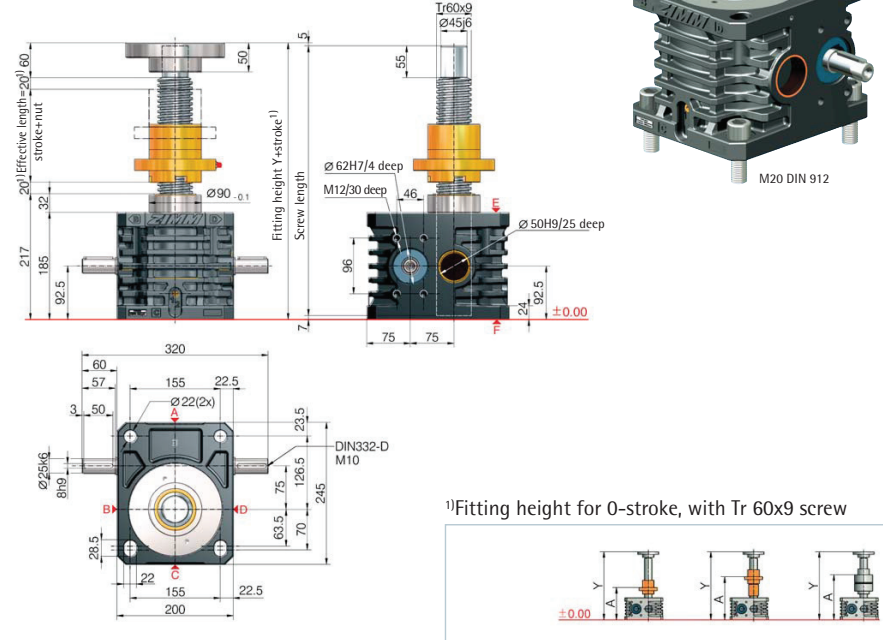
Bel lows FB	X/Y	X/Y	X/Y	X/Y	X/Y
without bellows FB	145/237	195/287	313/405	305/397	300/392
Z-150-FB-350	198/290	223/315	366/458	358/450	328/420
Z-150-FB-600	220/312	245/337	388/480	380/472	350/442
Z-150-FB-1000	278/370	303/395	446/538	438/530	408/500
Z-150-FB-1500	328/420	353/445	496/588	488/580	458/550

*with bellows fixing ring Z-150-FBR

Duty cycle thermal limit, for S+R



Z-150-R rotating screw 150 kN



1) Fitting height for 0-stroke, with Tr 60x9 screw

All dimensions in mm

Bel lows FB	Y/A	Y/A	Y/A
without bellows FB	432/277	528/373	527/402
2x Z-150-FB-300	480/305	571/396	575/430
2x Z-150-FB-600	524/327	615/418	619/452
2x Z-150-FB-1000	640/385	731/476	735/510
2x Z-150-FB-1500	740/435	831/526	835/560

Detailed instructions for determining the length can be found in Section 8

150 kN

Technical data series Z-150-S / Z-150-R

max. compressive/tensile force, static	- 150 kN (15 t)
max. compressive/tensile force, dynamic	- see duty cycle curves
Nominal speed	- 1500 rpm
max. drive shaft speed	- 1800 rpm
Screw size standard	- Tr 60x9 ²⁾
Gear ratio	- 9:1 (N) / 36:1 (L)
Housing material	- GGG-50, corrosion-resistant
Worm shaft	- steel, case-hardened, ground
Weight of screw jack body	- 42 kg
Weight of screw/m	- 19 kg
Gearbox lubrication	- synthetic fluid grease
Screw lubrication	- grease lubrication
Gearbox operating temperature	- max. 60°C, higher on request
Moment of inertia	- N: 22.47 kg cm ² / L: 7.96 kg cm ²
Input torque (at 1500 rpm)	- max. 75.1 Nm (N) / max. 20.7 Nm (L)
Drive-through torque	- max. 540 Nm

Drive torque M ₀ (Nm)	- F (kN) x 0.75 ³⁾ + M ₀ (N-normal)
	- F (kN) x 0.25 ³⁾ + M ₀ (L-low speed)
Breakaway torque	- Drive torque M ₀ x 1.5
Idling torque ⁴⁾ M ₀ (Nm)	- 1.90 (N-normal) / 1.20 (L-low speed)
Between gearbox and nut or nut and end of thread, provide for a safety distance of (minimum) 20 mm!	
See Section 7 for the checklist.	
Important information	
1) - extension if a bellows or spiral spring is fitted: see the table or Section 8	
2) - Tr 60x9 is standard, also available: double-pitch, stainless steel, left-handed, increased screw Tr 80x16 (only for the R version)	
3) - factor includes efficiency, ratio and 30% safety	
4) - at 20°C, can be higher when new	
5) - for a 9 mm screw pitch	