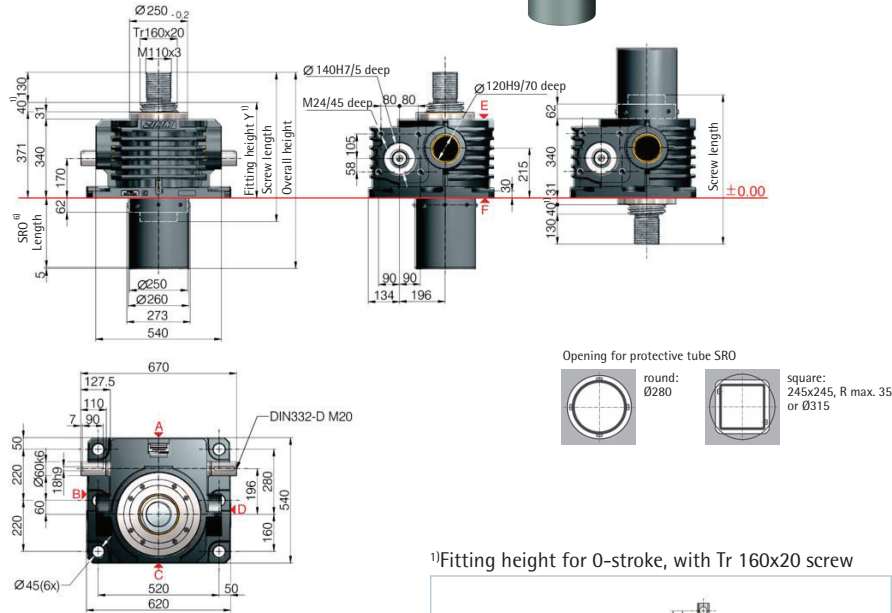


Z-1000-S translating screw 1,000 kN



Protective tube length SRO with Tr 160x20 screw

only screw	with escape protection AS	with rotation protection VS	with VS and limit switch set ES
$\varnothing 260$	$\varnothing 260$	220×220	220×220
157+stroke	197+stroke	197+stroke	205+stroke

Fitting height for 0-stroke, with Tr 160x20 screw

All dimensions in mm		BF		SLK		BF		SLK	
without bellows FB	X/Y	X/Y	X/Y	X/Z	X/Z	X/Z	X/Z	X/Z	X/Z
	196/411	328/543	on request	196/181	328/313	on request			

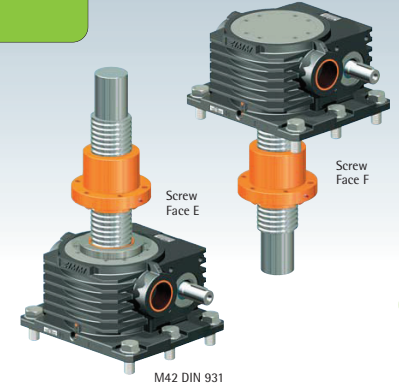
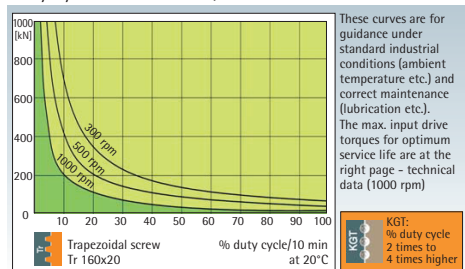
Standard ratios

Type	Version	Speed	Standard screw ¹⁾	i	Stroke per drive shaft rotation ²⁾
Z-1000-SN	Translating	Normal	Tr 160x20	13.33:1	1.5 mm
Z-1000-SL	screw	Low speed		40:1	0.5 mm
Z-1000-RN	Rotating	Normal	Tr 160x20	13.33:1	1.5 mm
Z-1000-RL	screw	Low speed		40:1	0.5 mm

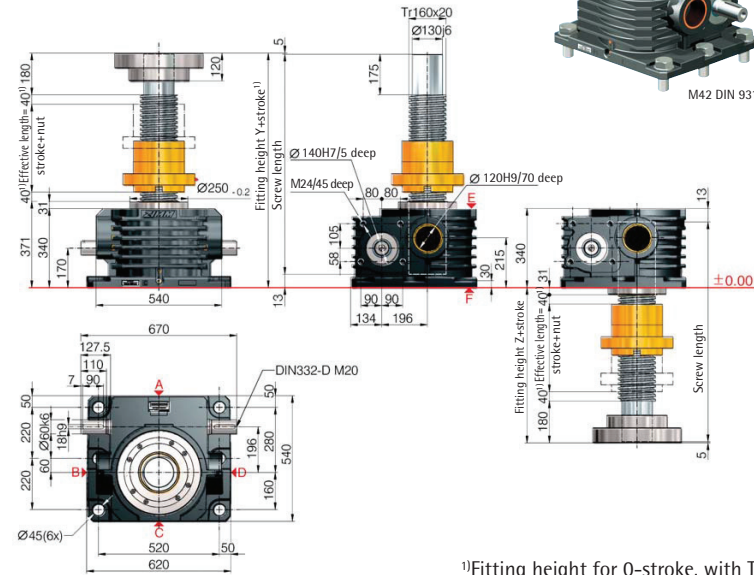
Screw jack mounting



Duty cycle thermal limit, for S+R



Z-1000-R rotating screw 1,000 kN



Fitting height for 0-stroke, with Tr 160x20 screw

All dimensions in mm		DM		DM with SIFA		DM		DM with SIFA	
without bellows FB	Y/A	Y/A	Y/A	Z/B	Z/B	Z/B	Z/B	Z/B	Z/B
	951/521	1131/701	611/281	791/281					

Detailed instructions for determining the length can be found in Section 8

1000 kN

Technical data series Z-1000-S / Z-1000-R

max. compressive/tensile force, static - 1000 kN (100 t)
 max. compressive/tensile force, dynamic - see duty cycle curves
 Nominal speed - 1000 rpm
 max. drive shaft speed - 1000 rpm
 Screw size standard - Tr 160x20³⁾
 Gear ratio - 13.33:1 (N) / 40:1 (L)
 Housing material - GGG-50, corrosion-resistant
 Worm shaft - steel, case-hardened, ground
 Weight of screw jack body - 408 kg
 Weight of screw/m - 139 kg
 Gearbox lubrication - synthetic gear oil
 Screw lubrication - grease lubrication
 Gearbox operating temperature - max. 60°C, higher on request
 Moment of inertia - N: 1058.2 kg cm² / L: 459.2 kg cm²
 Input torque (at 1000 rpm) - max. 680 Nm (N) / max. 450 Nm (L)
 Drive-through torque - max. 4570 Nm

Drive torque M_0 (Nm) - F (kN) \times 1.32³⁾ + M_0 (N-normal)
 - F (kN) \times 0.51³⁾ + M_0 (L-low speed)
 Breakaway torque - Drive torque M_0 \times 1.5
 Idling torque⁴⁾ M_0 (Nm) - 9.70 (N-normal) / 5.90 (L-low speed)
 Between gearbox and nut or nut and end of thread, provide for a safety distance of (minimum) 40 mm!
 See Section 7 for the checklist.
Important information
 1) - extension if a bellows or spiral spring is fitted: see Section 8
 2) - Tr 160x20 is standard, also available: double-pitch, stainless steel, left-handed, increased screw Tr 190x24 (only for the R version)
 3) - factor includes efficiency, ratio and 30% safety
 4) - at 20°C, can be higher when new
 5) - for a 20 mm screw pitch