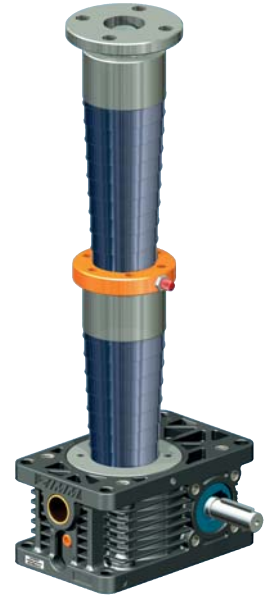
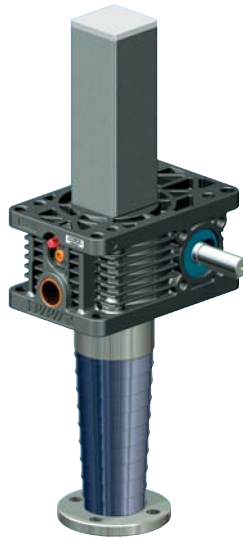
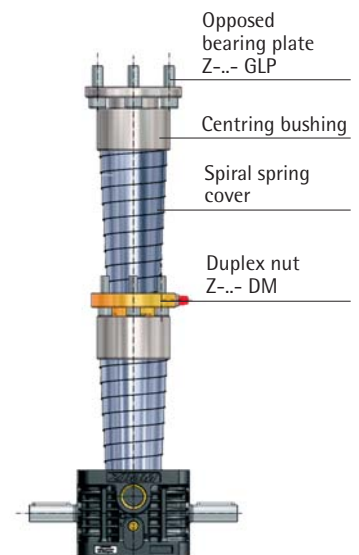
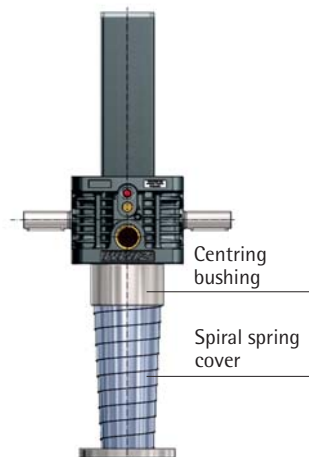
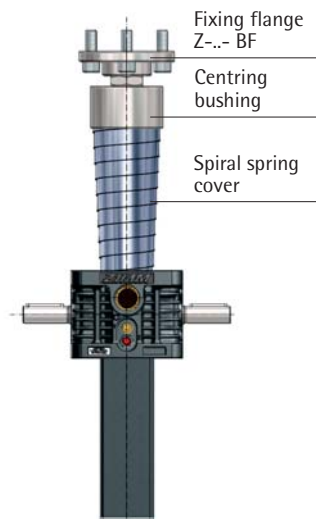
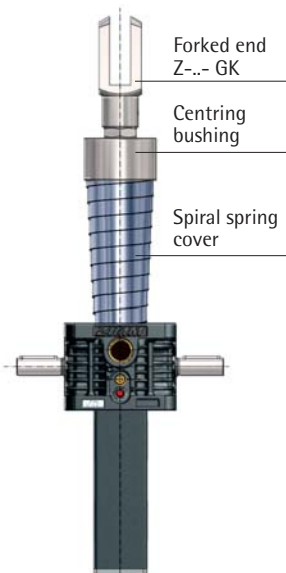


Spiral spring attachment



Spiral spring cover attachment for types SN/SL

Spiral spring cover attachment for types RN/RL



Fitting instructions:

Spiral springs can be used on chip-generating and non-chip generating machines.

The illustrations show how to fit different types of spiral spring covers to various screw jacks.

Centring bushings are required when assembling combinations of different parts; we can include these in our quotation on request.

IMPORTANT:

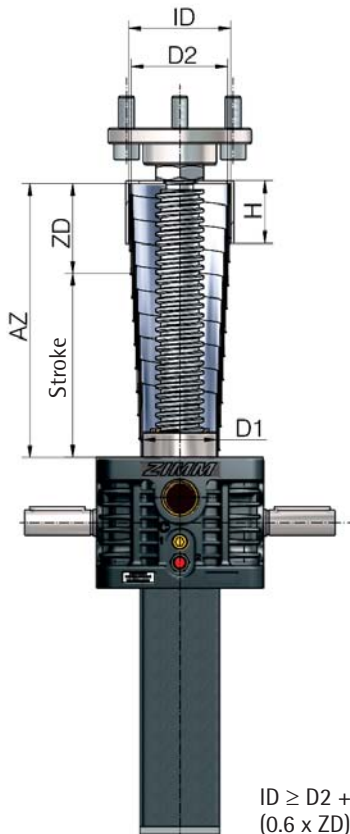
Spiral springs must under no circumstances be allowed to uncoil. For technical reasons, please specify in your enquiry whether the spiral spring is to be installed horizontally or vertically.

If installation is to be vertical, we recommend that the larger diameter is at the top,

as shown; if it is to be horizontal, the taper should be away from the direction of flow of the chips or other particulate.

A slight film of oil on the spiral spring improves its operation and extends its service life.

Spiral spring cover SF



$$ID \geq D2 + 4 \text{ mm}$$

$$(0.6 \times ZD) \leq H \leq (ZD - 2 \text{ mm})$$

Material:

SF: Spring band steel, blued (on request we can also supply versions in stainless steel)

Centring bushing: Plastic (other materials on request)

CAUTION:

The spring travel quoted is the maximum possible. For practical operation, please allow a margin of safety to prevent damage! We recommend preparation of a drawing to determine the fitting position and dimensions of spiral springs.

**Ordering example:**

SF-030-0450-030-H SFZ-ID57-H20

Spiral spring
 Least diameter D1
 Greatest length AZ*
 Least length ZD
 H=horizontal installation
 V=vertical installation

Centring bushing
 Inner diameter
 Height

Screw jack Z-5						Bushing			
Type SF	D1	D2	ZD	Stroke	kg	ID	AD	H	
030-0450-030-V	30	53	30	420	0.30	57	61	20	
030-0450-030-H	30	53	30	360	0.30	57	61	20	

Screw jack Z-10						Bushing			
Type SF	D1	D2	ZD	Stroke	kg	ID	OD	H	
040-0450-040-V	40	64	40	410	0.53	69	73	30	
040-0450-040-H	40	64	40	350	0.53	69	73	30	
040-0900-060-V	40	70	60	840	1.09	74	78	36	
040-0900-060-H	40	70	60	720	1.09	74	78	36	
040-1300-075-V	40	84	75	1225	2.20	88	92	50	
040-1300-075-H	40	84	75	1075	2.20	88	92	50	

Screw jack Z-25						Bushing			
Type SF	D1	D2	ZD	Stroke	kg	ID	OD	H	
050-0450-050-V	50	70	50	400	0.64	74	78	36	
050-0450-050-H	50	70	50	300	0.64	74	78	36	
050-0750-060-V	50	80	60	690	1.07	84	88	40	
050-0750-060-H	50	80	60	570	1.07	84	88	40	
050-1200-075-V	50	94	75	1125	2.45	98	104	50	
050-1200-075-H	50	94	75	975	2.45	98	104	50	
050-1500-100-V	50	88	100	1400	2.70	92	96	60	
050-1500-100-H	50	88	100	1200	2.70	92	96	60	

Screw jacks Z-35, Z-50						Bushing			
Type SF	D1	D2	ZD	Stroke	kg	ID	OD	H	
065-0450-050-V	65	88	50	400	0.64	92	96	35	
065-0450-050-H	65	88	50	300	0.64	92	96	35	
065-1100-075-V	65	107	75	1025	2.50	112	118	60	
065-1100-075-H	65	107	75	825	2.50	112	118	60	
065-1500-100-V	65	108	100	1400	3.80	112	118	60	
065-1500-100-H	65	108	100	1200	3.80	112	118	60	
065-2100-120-V	65	113	120	1980	5.65	118	124	80	
065-2100-120-H	65	113	120	1740	5.65	118	124	80	

Screw jack Z-50/Tr50, Z-100						Bushing			
Type SF	D1	D2	ZD	Stroke	kg	ID	AD	H	
090-0650-075-V	90	124	75	575	2.80	128	134	50	
090-0650-075-H	90	124	75	425	2.80	128	134	50	
090-1300-100-V	90	132	100	1200	4.90	136	142	60	
090-1300-100-H	90	132	100	1000	4.90	136	142	60	

Screw jack Z-150						Bushing			
Type SF	D1	D2	ZD	Stroke	kg	ID	AD	H	
100-0800-075-V	100	138	75	725	3.70	143	149	51	
100-0800-075-H	100	138	75	575	3.70	143	149	51	
100-1500-100-V	100	146	100	1400	6.00	150	156	75	
100-1500-100-H	100	146	100	1200	6.00	150	156	75	



Other sizes of spiral springs are available on request.