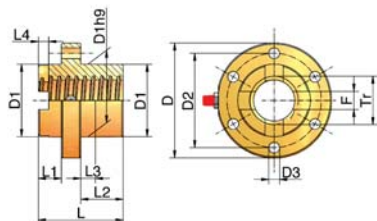


## Nuts for rotating version R

## Duplex nut Z...-DM



Part no.	Tr	D	D1	D2	D3	L	L1	L2	L3	L4	F	kg
GSZ-2-DM	Tr 16x4	49	26	40 <sup>2)</sup>	5.5 <sup>2)</sup>	45	13	20	8	6	6	0.3
Z-5-DM <sup>1)</sup>	Tr 18x4	52	29	40	6	45	13	20	8	6	6	0.3
Z-10-DM <sup>1)</sup>	Tr 20x4	68	39	54	7	45	13	20	8	6	8	0.57
Z-25-DM <sup>1)</sup>	Tr 30x6	79	46	61	7	50	13	23	8	7	12	0.8
Z-35/50-DM <sup>1)</sup>	Tr 40x7	95	60	78	9	70	18	36	12	8.5	15	1.54
Z-100-DM	Tr 55x9	130	85	108	11	90	18	54	18	10	20	4.1
Z-150-DM	Tr 60x9	140	90	116	13	115	20	75	20	10	20	5.3
Z-250-DM <sup>1)</sup>	Tr 80x16	185	120	153	17	140	25	85	30	14	25	12.2
Z-350-DM <sup>1)</sup>	Tr 100x16	230	145	189	23	160	25	100	35	14	24	21.6
Z-500-DM <sup>1)</sup>	Tr 120x16	255	170	214	23	180	30	110	40	14	30	30.5
Z-750-DM	Tr 140x20	289	200	252	23	220	30	140	50	18	30	58.3
Z-1000-DM <sup>1)</sup>	Tr 160x20	350	250	300	26	320	50	210	70	18	35	155

<sup>1)</sup>Compatible with the previous MSZ type; <sup>2)</sup>only 4 holes  $\varnothing$  5.5 mm

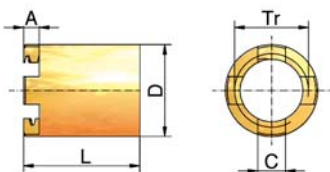
Material: 2.1090.01 (RG7 bronze); quality: 7H DIN 103

Right-handed (left-handed, double-pitch on request)

Threaded grease nipple, up to Z-50 G1/8", from Z-100 G1/4"

## Safety nut Z...-SIFA-R

see also Sections 2+3



Part no.	Tr	A	C	D	L	kg
GSZ-2-SIFA-R	Tr 16x4	6	6	22	28	0.05
Z-5-SIFA-R <sup>1)</sup>	Tr 18x4	6	6	24	28	0.05
Z-10-SIFA-R <sup>1)</sup>	Tr 20x4	6	8	28	42	0.11
Z-25-SIFA-R <sup>1)</sup>	Tr 30x6	7	12	38	47.5	0.20
Z-35/50-SIFA-R <sup>1)</sup>	Tr 40x7	8.5	15	50	67	0.46
Z-100-SIFA-R	Tr 55x9	10	20	65	87	1.10
Z-150-SIFA-R	Tr 60x9	10	20	70	100	1.20
Z-250-SIFA-R <sup>1)</sup>	Tr 80x16	14	25	100	115	3.30
Z-350-SIFA-R <sup>1)</sup>	Tr 100x16	14	24	120	115	4.07
Z-500-SIFA-R <sup>1)</sup>	Tr 120x16	14	30	135	128	6.02
Z-750-SIFA-R <sup>1)</sup>	Tr 140x20	18	30	170	151	13.8
Z-1000-SIFA-R <sup>1)</sup>	Tr 160x20	18	35	190	186	19.8

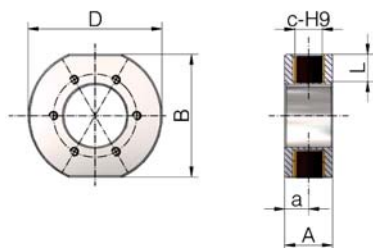
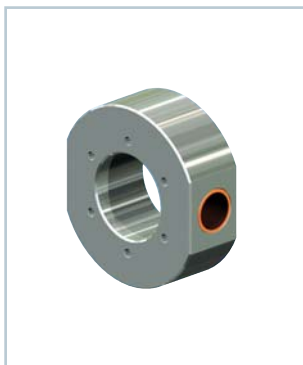
<sup>1)</sup>Compatible with the previous MSZ type

Material: RG7

## Cardan adapters DMA

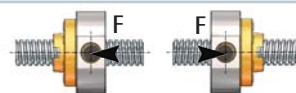
for duplex nuts DM

see pages 154, 159



Part no.	B	D	c-H9	L	A	a	kg
Z-5-DMA	72	78	16	15	30	15	1.0
Z-10-DMA	72	78	16	15	30	15	0.9
Z-25-DMA	90	98	20	20	36	18	1.4
Z-35-DMA	100	116	28	15	46	23	2.3
Z-50-DMA	100	116	30	15	46	23	2.3
Z-100-DMA	140	156	40	25	60	30	4.8
Z-150-DMA	145	160	50	25	76	38	6.8
Z-250-DMA	185	206	60	30	90	45	12.7

Material: Steel, corrosion-resistant; pivot bearing: Bronze, PTFE coated

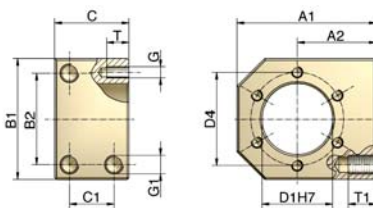
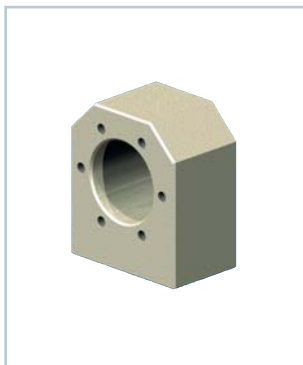


## Main direction of loading

Select the main direction of loading so that tensile loads on the nut are avoided

## Driving flange TRMFL

for flange nut Z...-FM



Part no.	for FM	A1	A2max*	A2min*	B1	B2
TRMFL-18x4**	Tr 18x4**	60	35.0	25.0	50	34
TRMFL-20x4	Tr 20x4	68	37.5	29.0	58	39
TRMFL-30x6	Tr 30x6	75	42.5	32.5	65	49
TRMFL-40x7	Tr 40x7	120	70.0	50.0	100	76

Part no.	C	C1	G1	D1	D4	GxT	kg
TRMFL-18x4	40	24	M8x15	28	38	M5x10	0.7
TRMFL-20x4	40	24	M8x15	32	45	M6x12	0.9
TRMFL-30x6	40	24	M10x15	38	50	M6x12	1.1
TRMFL-40x7	65	41	M14x25	63	78	M8x14	4.5

\* Supplied ex-works with size A2max.

Can be machined by the customer to A2min.

\*\* Suitable also for GSZ-2-FM (Tr 16x4)

Material: steel, corrosion-resistant